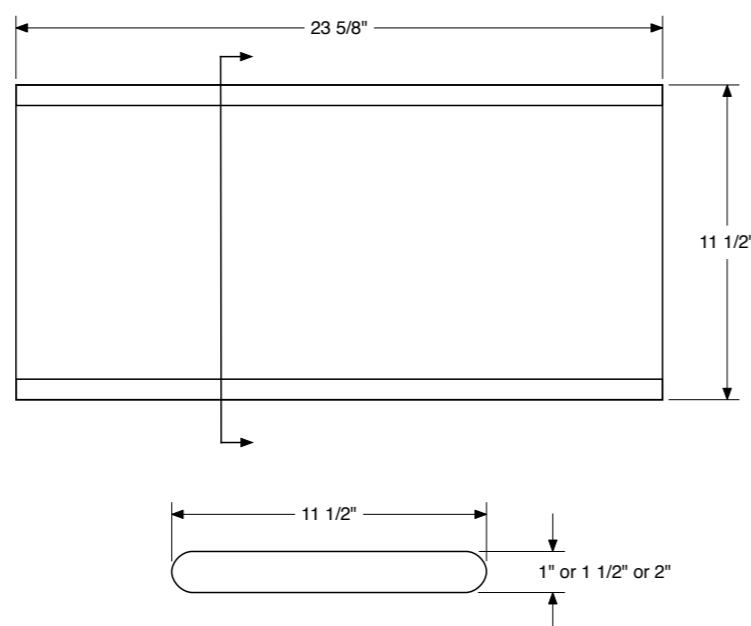
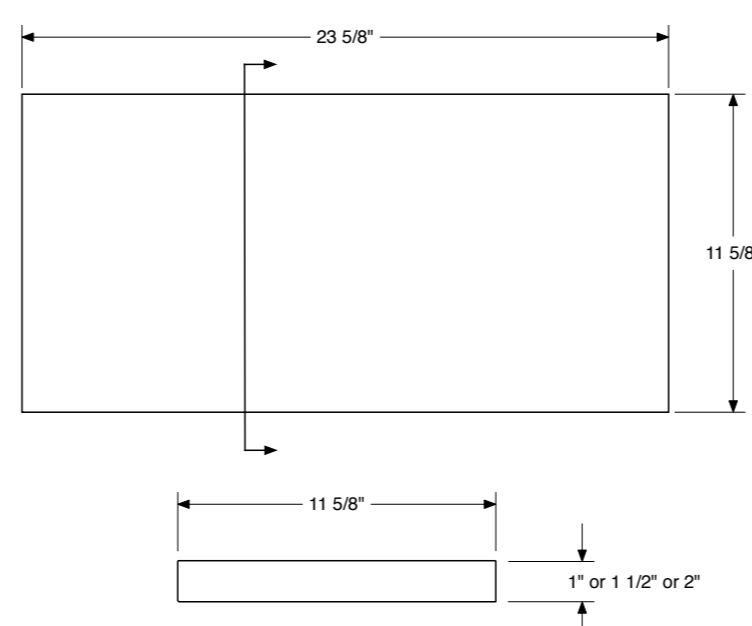


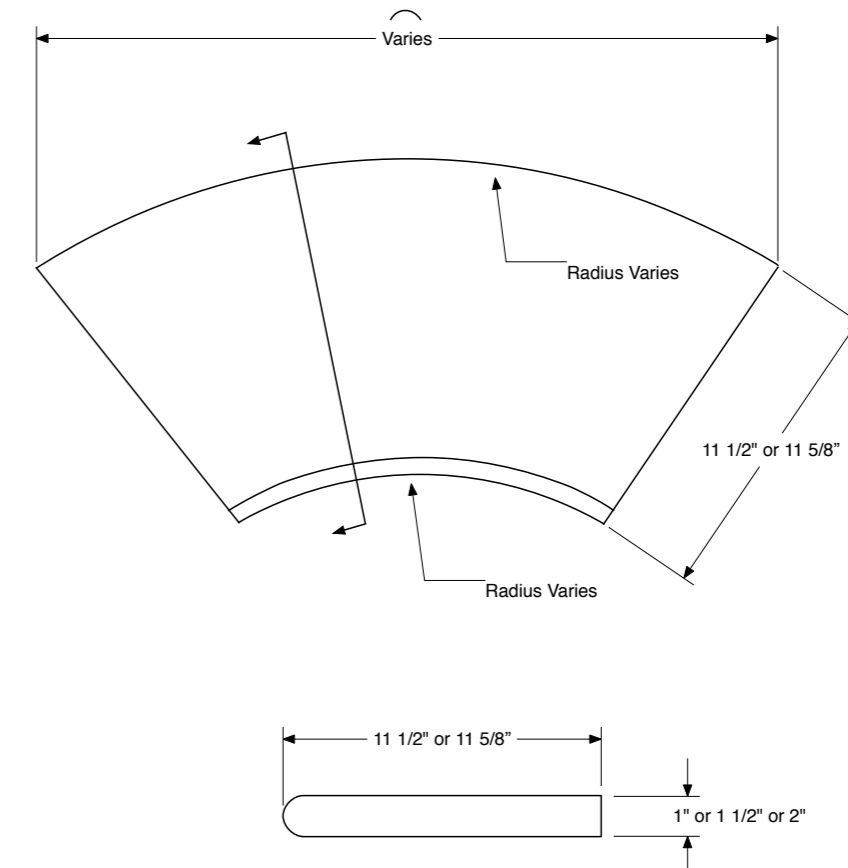
SINGLE BN COPING



DOUBLE BN COPING



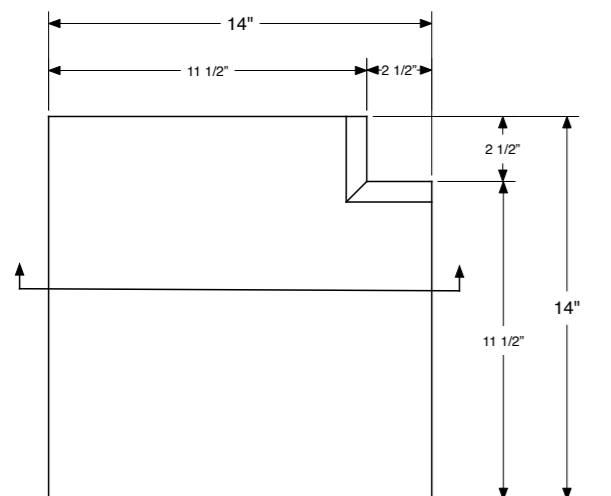
SQUARE EDGE COPING



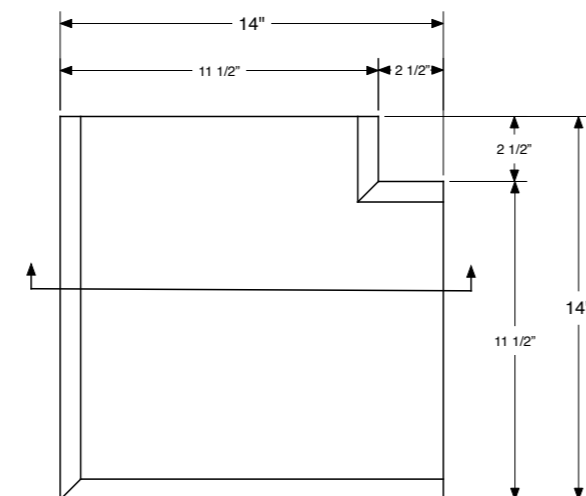
NOTE:

1. Radius Coping can be either Square Edge, Single BN or DBL BN.
2. Radius Coping can be Either Radius or Reverse Radius
3. Width and Thickness of Radius Coping is to match Selected Pool / Spa Coping.

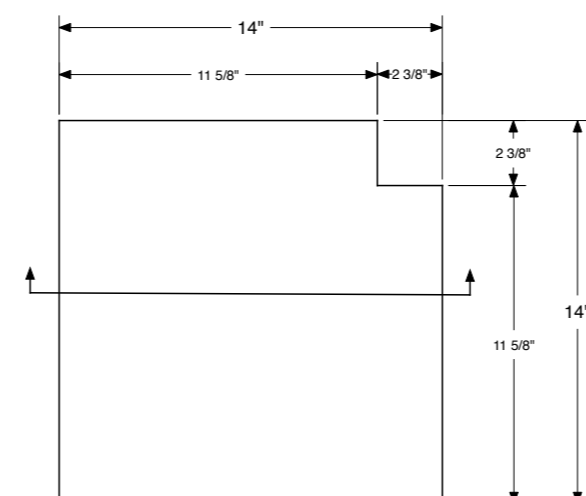
RADIUS COPING (TYPICAL)



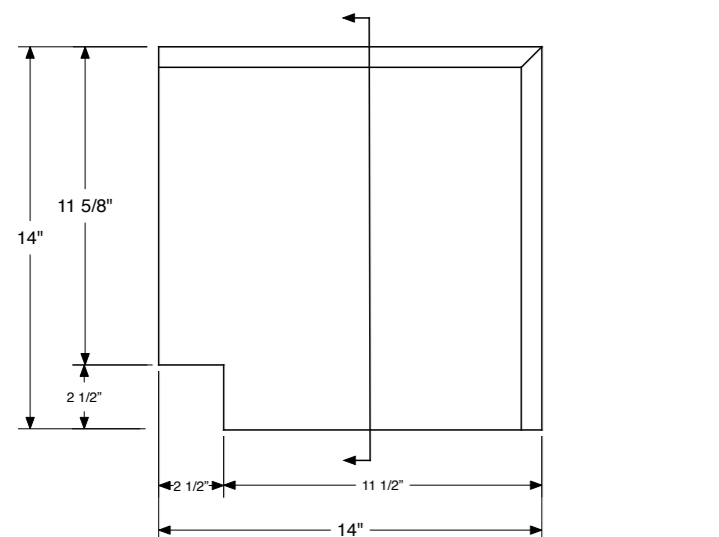
INSIDE SINGLE BN CORNER COPING



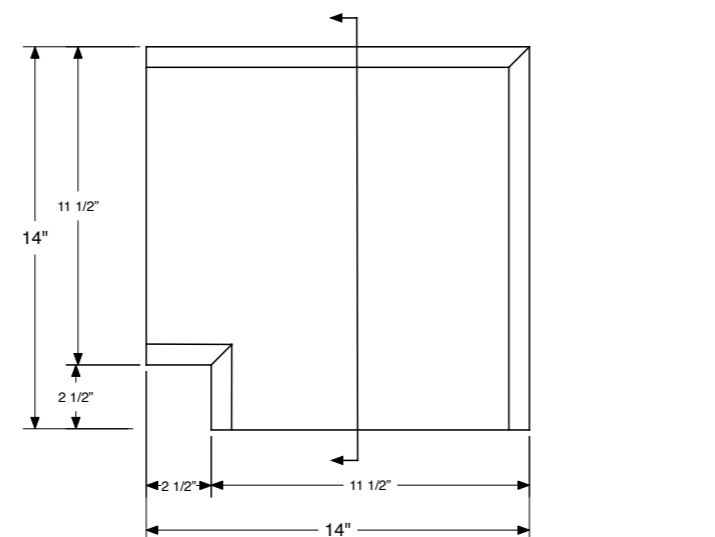
INSIDE DBL BN CORNER COPING



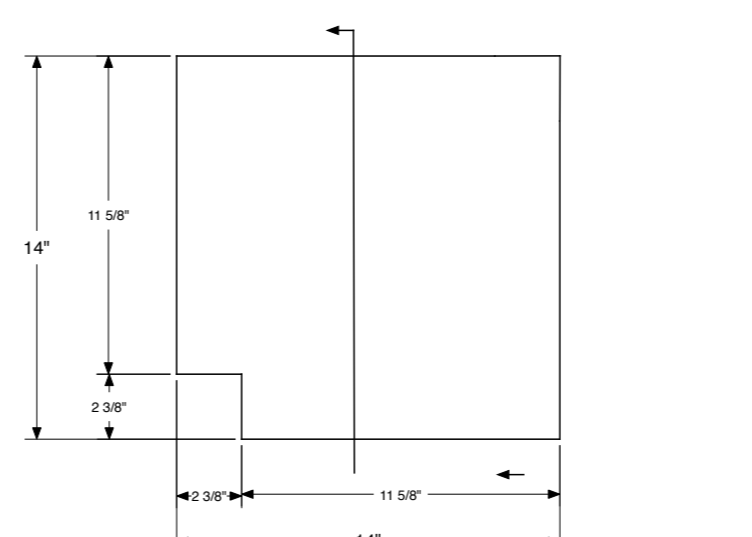
INSIDE SQUARE EDGE CORNER COPING



OUTSIDE SINGLE BN CORNER COPING



OUTSIDE DBL BN CORNER COPING



OUTSIDE SQUARE EDGE CORNER COPING

NOTES

1. 6,500 P.S.I. Design Mix
2. ASTM C-1364 for Cast Stone
3. Specification for Cast Stone 04720
4. Available in over 100 Colors & All Kerckhoffstone Texture
5. Color & Textures will Vary
6. Abrasion and Mildew Resistant

D.C. KERCKHOFF COMPANY

POOL / SPA COPING



PLANT CERTIFIED



1901 Elsa Street
Naples, FL 34109
(239) 597-7218

©