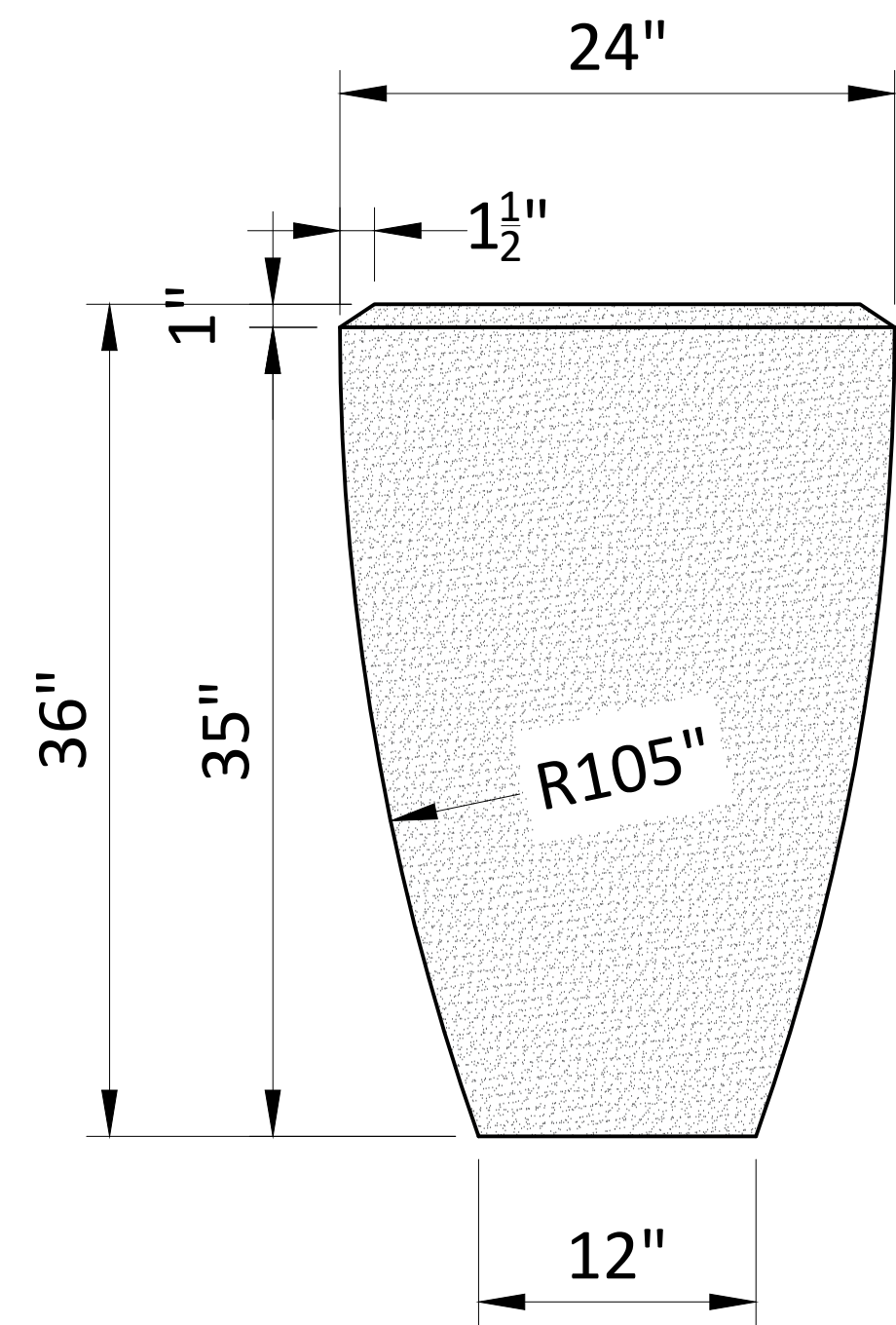


28"Dia.x 30" Ht.Planter



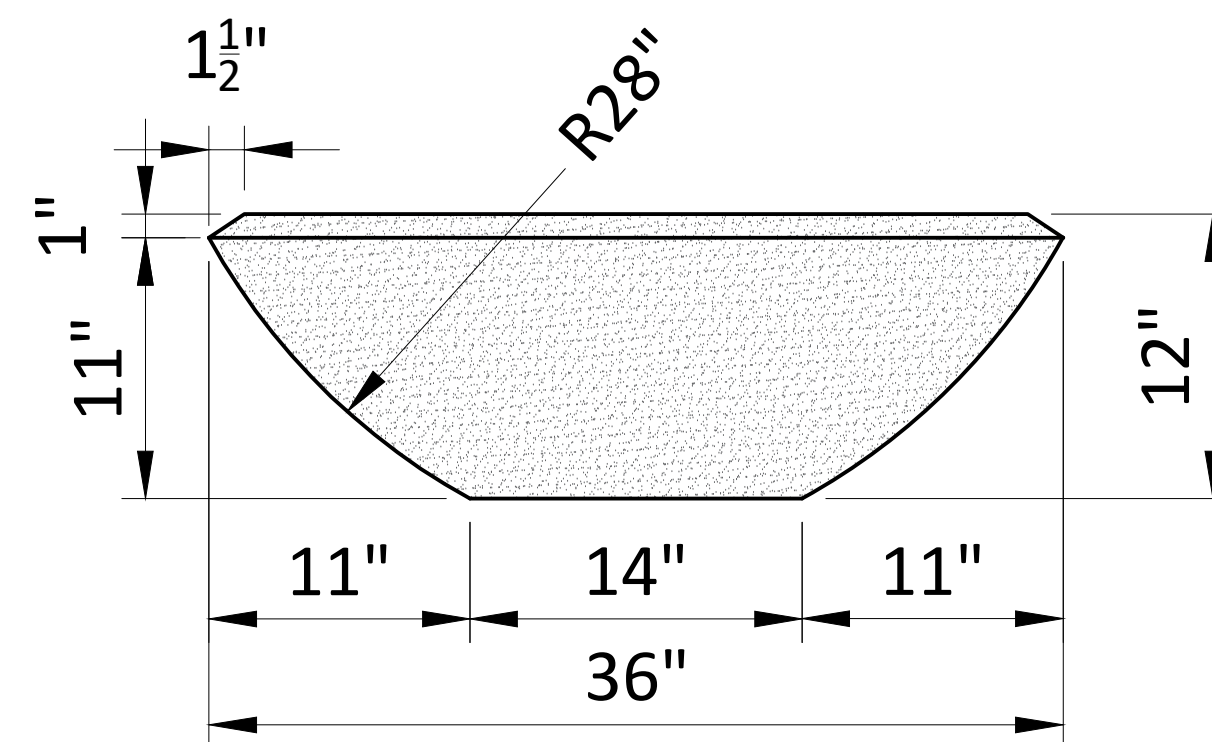
28"Dia.x 30" Ht.Planter 3D Views (QTY.12)



24"Dia.x 36" Ht.Planter



24"Dia.x 36" Ht.Planter 3D Views (QTY.12)



36"Dia.x 12" Ht.Planter



36"Dia.x 12" Ht.Planter 3D Views (QTY.12)

5th Ave. Street Plan Development
Community Solutions Group

Proposed Planters



PLANT CERTIFIED
APA
ARCHITECTURAL PRECAST ASSOCIATION
1901 ELSA AVENUE NAPLES, FL. 34109
PH: (239) 597-7218 FAX: (239) 566-8432
WWW.KERCKHOFFSTONE.COM
© D.C. KERCKHOFF
2020

JOB COLOR / TEXTURE

COLOR: TBD

TEXTURE: LIGHT TEXTURE

DRAWING LOG

NO.	DATE	BY	DESCRIPTION
1	2-5-20	E.G.JR	REVISED
2	2-12-20	E.G.JR	REVISED