

# Wall Caps, Wall Veneers & Column Caps & Bases



## TABLE OF CONTENTS

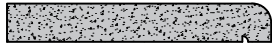
| TITLE                                | PAGE No. |
|--------------------------------------|----------|
| • Wall Caps.....                     | 1        |
| • Wall Veneers.....                  | 2        |
| • Column Caps & Veneers.....         | 3        |
| • Column Caps & Veneers & Bases..... | 4        |



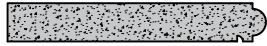
# WALL CAPS & VENEER

**Fabrication Notes:**

1. Drawing represents standard shape & sizes
2. Coping can be customized per individual project.
3. Coping can be fabricated with radius.



HALF BULLNOSE



SPRINGS



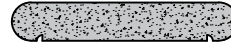
SINGLE BULLNOSE



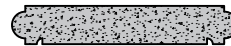
SINGLE WASH



FOUR SEASONS



DOUBLE BULLNOSE



SPRINGS



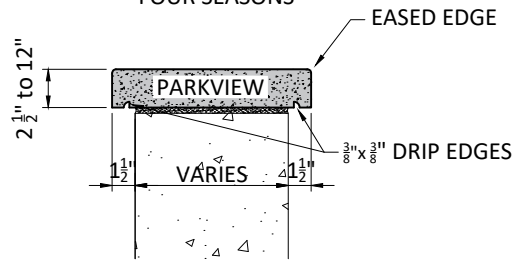
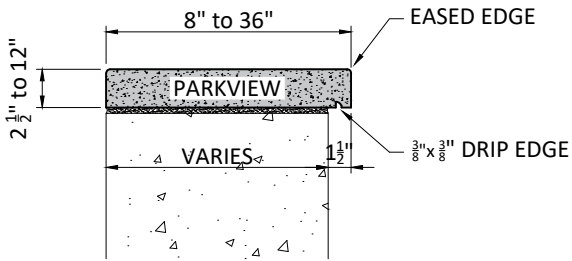
POINTE



RITZ



FOUR SEASONS

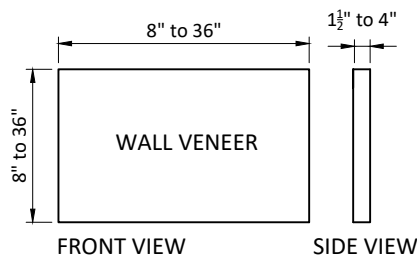
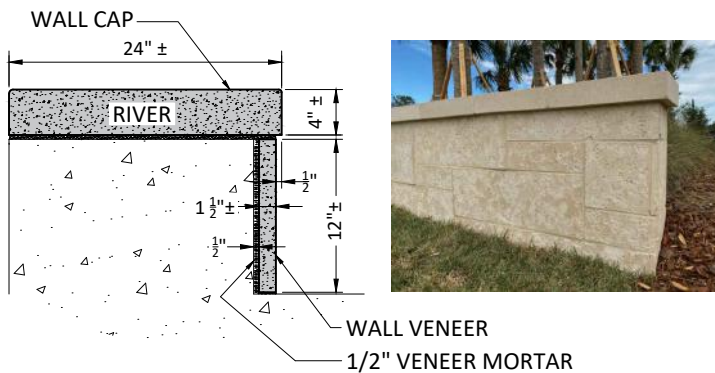


**TYP. WALL CAPS PROFILES**

SCALE: N.T.S.

**TYP. WALL CAPS PROFILES**

SCALE: N.T.S.



SCALE: N.T.S.

**WALL CAP & WALL VENEER**

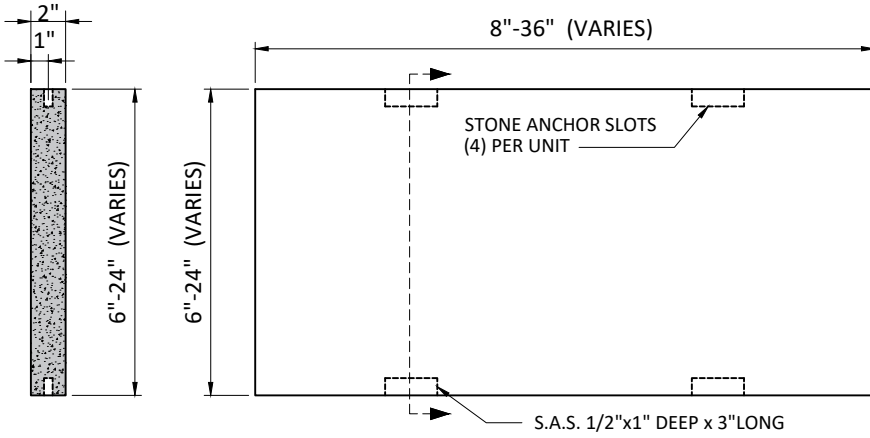




# WALL VENEER

**Fabrication Notes:**

1. Drawing represents standard shape & sizes
2. Coping can be customized per individual project.
3. Coping can be fabricated deep with radius.

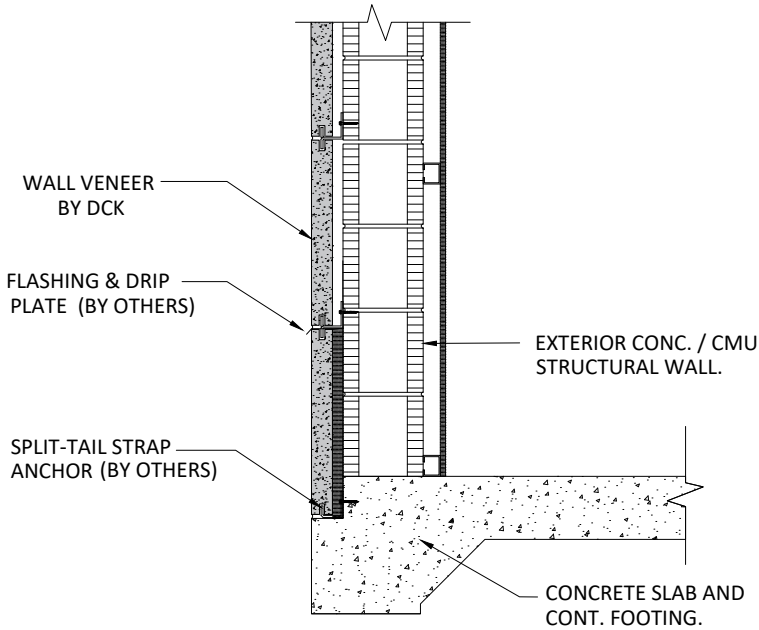


**SECTION**

**FRONT VIEW**

SCALE: N.T.S.

SCALE: N.T.S.



**EXTERIOR WALL VENEER RESTRAINT ANCHORAGE**

SCALE: N.T.S.





# COLUMN CAPS & BASES

**Fabrication Notes:**

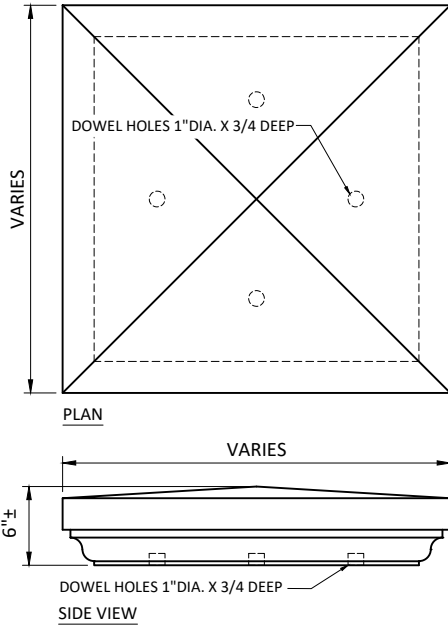
1. Drawing represents standard shape & sizes
2. Coping can be customized per individual project.
3. Coping can be fabricated with radius.

**NOTES:**

1. 6,500 P.S.I. DESIGN MIX
2. ASTM C-1364 FOR CAST-STONE
3. SPECIFICATION FOR CAST-STONE 04720
4. AVAILABLE IN OVER 85 COLORS & ALL STANDARD KERCKHOFFSTONE TEXTURES
5. COLOR & TEXTURES WILL VARY
6. ABRASION AND MILDEW RESISTANT
7. ALL OVERSIZE THICK COPINGS ARE REINFORCED AS REQUIRED

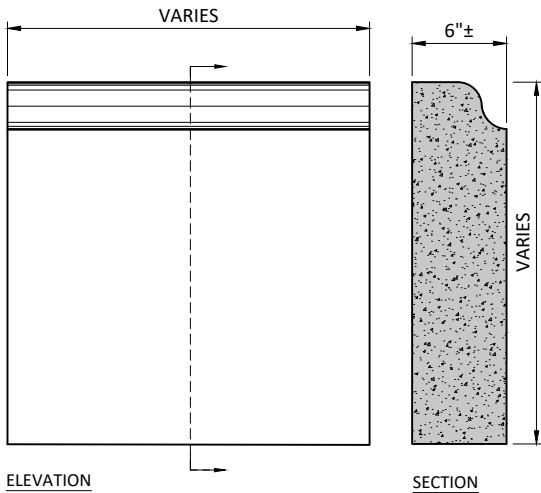
**CUSTOM PAVERS:**

\*\*\*ALL OTHER SQUARE PAVERS, LINEAR PAVERS, NARROW LINEAR PAVERS, LARGE LINEAR PAVERS, AND ROUND PAVERS SIZES NOT SHOWN ABOVE CAN BE MANUFACTURED UPON REQUEST\*\*\*



## COLUMN CAP

SCALE: N.T.S.



## COLUMN BASE

SCALE: N.T.S.





# COLUMN CAPS & VENEERS & BASES

**NOTES:**

1. 6,500 P.S.I. DESIGN MIX
2. ASTM C-1364 FOR CAST-STONE
3. SPECIFICATION FOR CAST-STONE 04720
4. AVAILABILITY IN OVER 85 COLORS & ALL STANDARD KERCKHOFFSTONE TEXTURES
5. COLOR & TEXTURES WILL VARY
6. ABRASION AND MILDEW RESISTANT
7. ALL OVERSIZE THICK COPINGS ARE REINFORCED AS REQUIRED

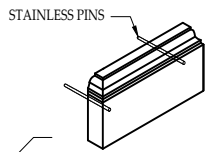
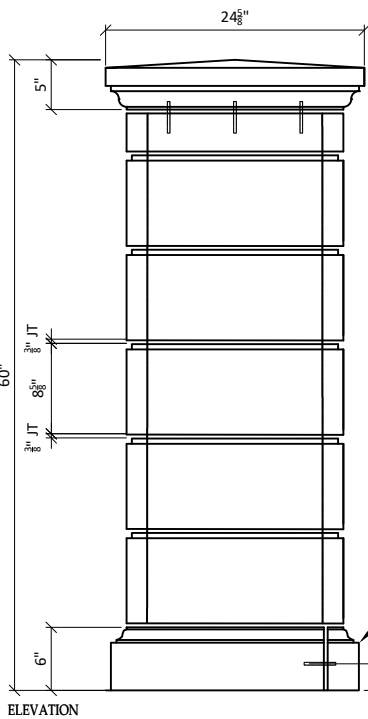
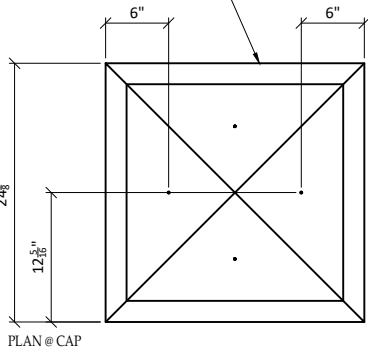
**CUSTOM PAVERS:**

\*\*\*ALL OTHER SQUARE PAVERS, LINEAR PAVERS, NARROW LINEAR PAVERS, LARGE LINEAR PAVERS, AND ROUND PAVERS SIZES NOT SHOWN ABOVE CAN BE MANUFACTURED UPON REQUEST\*\*\*

**C52 PROFILE**

C52-25

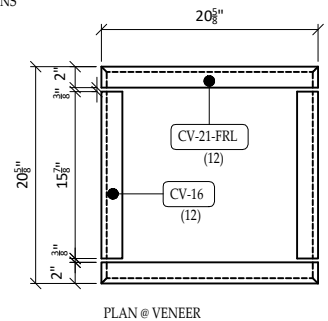
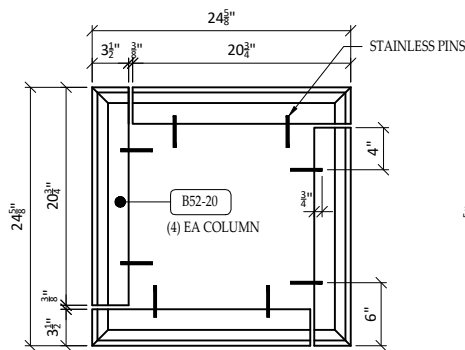
COLOR: COASTLAND  
FINISH: LIGHT TEXTURE



**B52 PROFILE**

B52-20

COLOR: COASTLAND  
FINISH: LIGHT TEXTURE



60" COLUMN w/ CAP & BASE

N.T.S.



PH: (239) 597-7218

1901 ELSA ST.

NAPLES, FL. 34109

© 2021