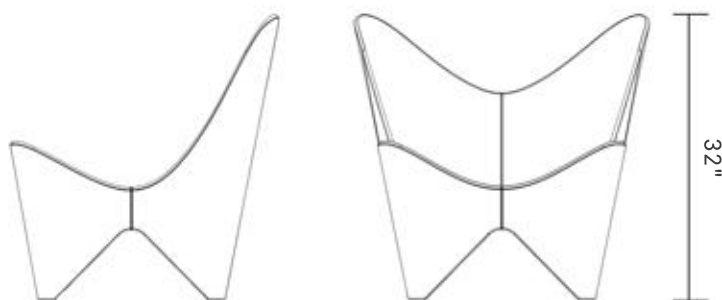
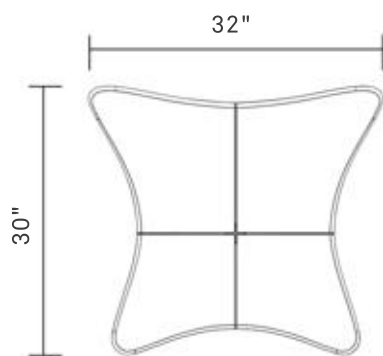



Butterfly Chair (BKF)



Butterfly Chair (BKF)

BANRKF



WEIGHT	595 lbs
DIMENSIONS	32" x 30" x 32"
FINISHES	NATURAL MATE POLISHED
COLORS	

Butterfly Chair (BKF)

The world famous BKF design needs no introduction. Originally designed by Spanish and Argentineans architects in 1938, the chair has been reimagined several times over the past decades. This concrete version designed for outdoor spaces incorporates the fine ergonomic curvature of the original. The idea is to generate meeting spaces that cut the rigid lines that dominate certain spaces through plastic design individual chairs with flexible lines that foster social interaction in a relaxed setting.

REV 00 | FV 2020/09/17

*The dimensions of the products shown on the webpage serve as an illustrative character and do not represent a contractual obligation of any kind. For more information, please do not hesitate to contact us. Copyright © 2020 Durban Precast. All rights reserved