

DESCRIPTION:

COLUMN PANEL, TYP.

QUANTITY:

2

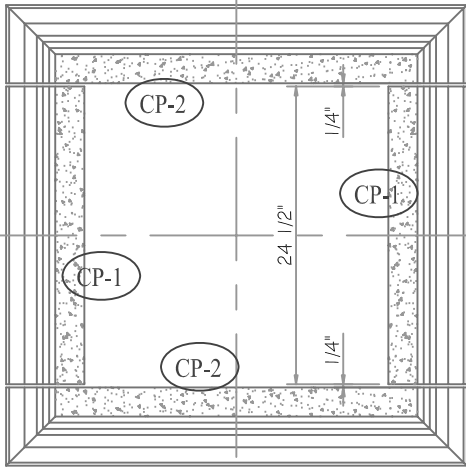
SHEET NO.:

CP-1

COLOR: # 56 RICO - STANDARD.

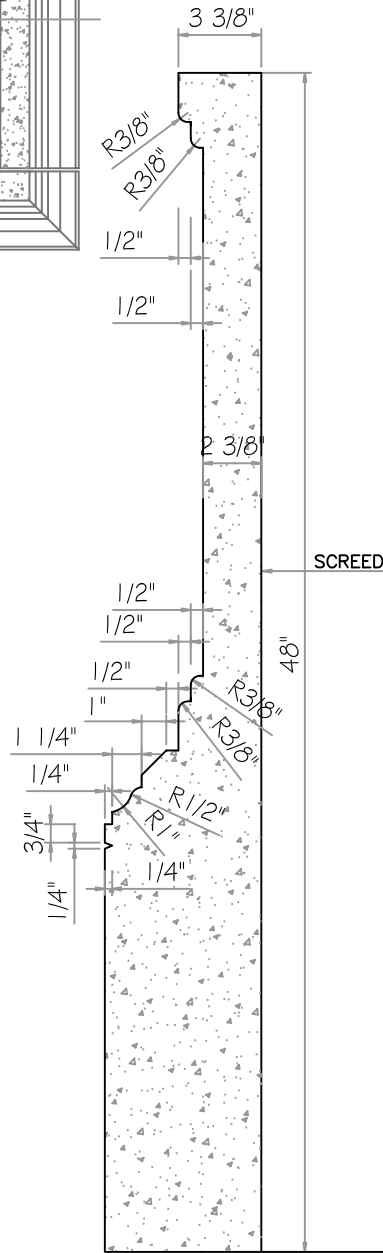
PART NO.:

DRAWINGS:

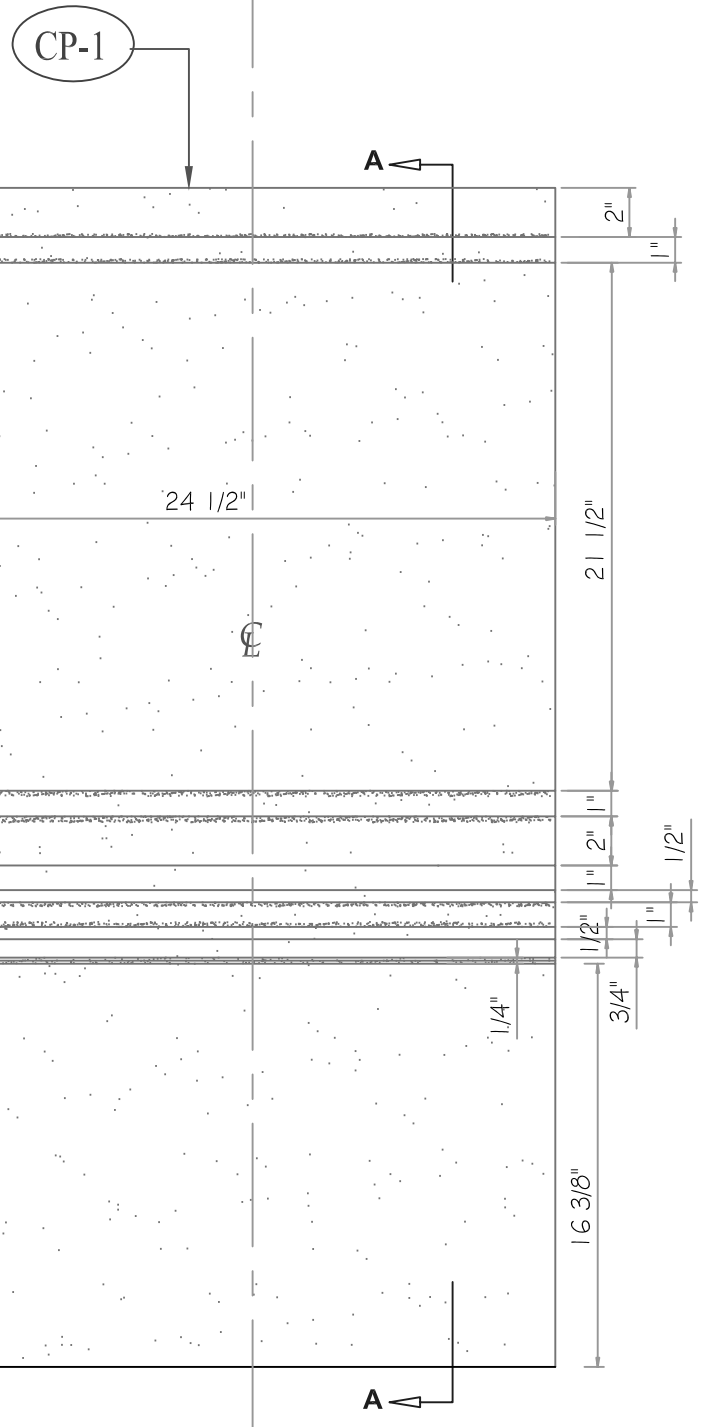


**Column Panel
Layout**

Scale: 3/4" = 1'-0"



SECTION A-A Scale: 1 1/2" = 1'-0"



ELEVATION Scale: 1 1/2" = 1'-0"

PROJECT NAME:

**EDISON COLLEGE
Ft. Myers, Florida**

PROJ. MGR.:

M.P.C.

PRINTED:

May 29, 08

REVISED:

May 31, 08

**D. C. KERCKHOFF
C O M P A N Y**

© D.C. Kerckhoff
2008

STONE CAST

1901 ELSA AVENUE • NAPLES, FL. 34109 • (239) 597-7218