

DESCRIPTION:

COLUMN SHAFT THIRD.

QUANTITY:

48

SHEET NO.:

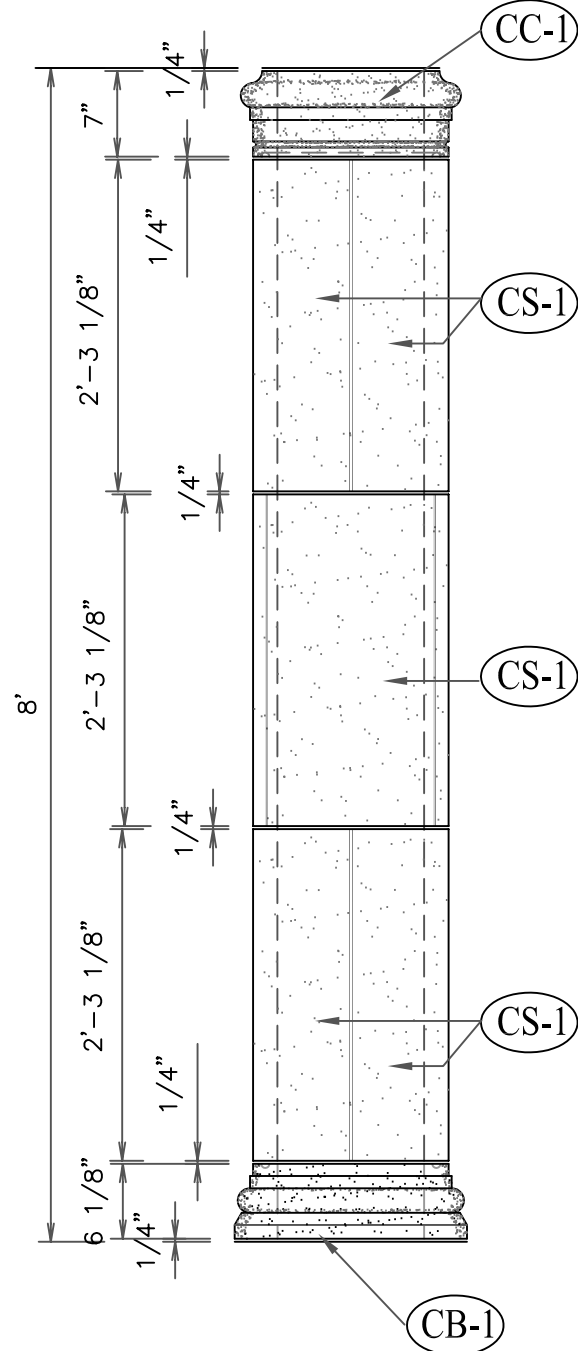
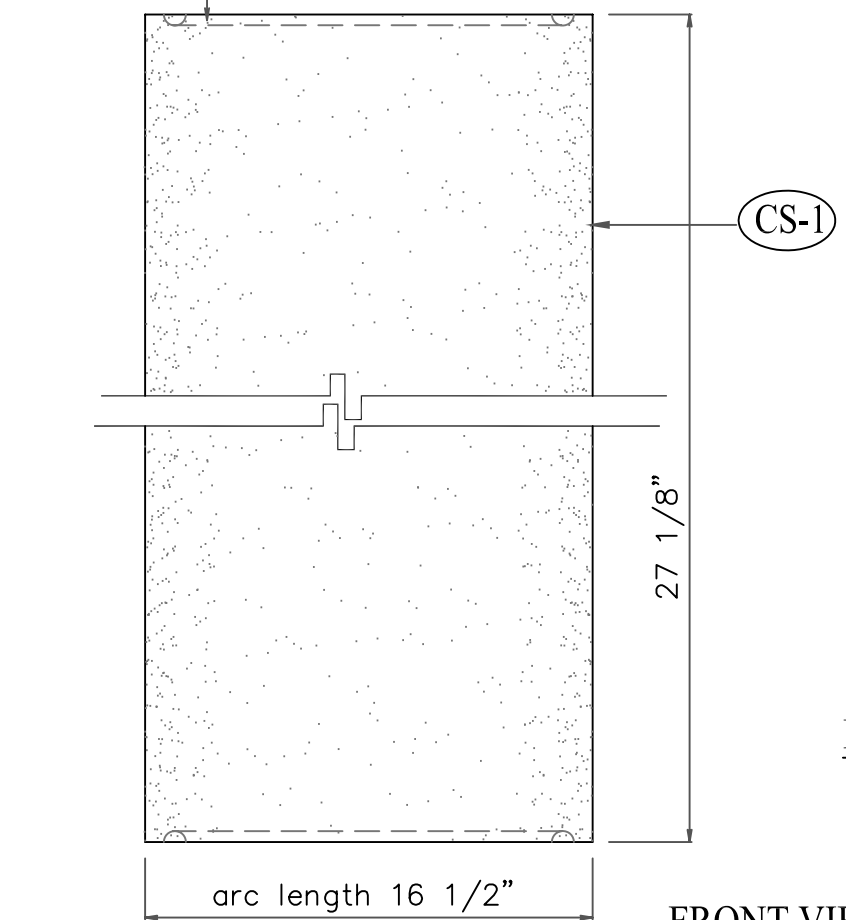
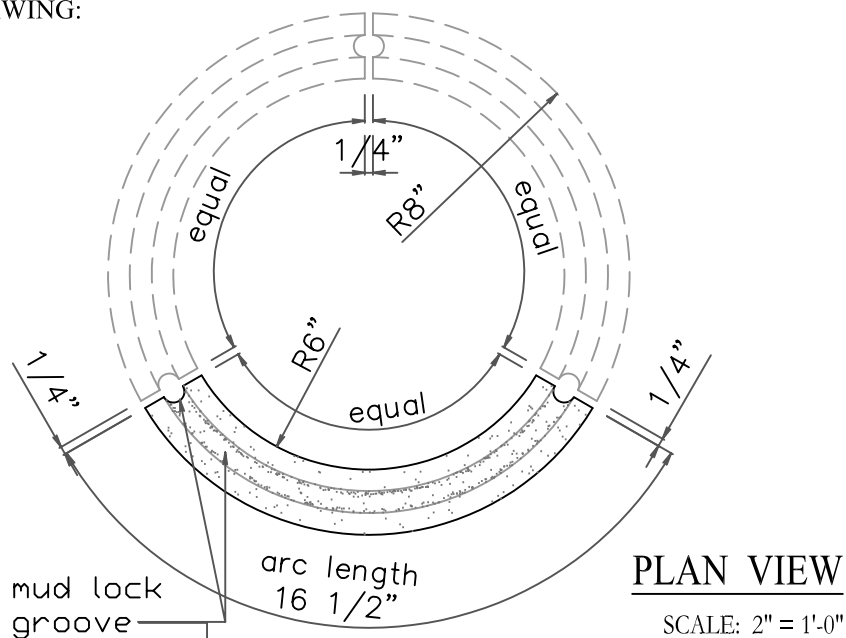
CS-1

COLOR: #1 WHITE. TEXTURE: STANDARD

JOB NO.:

PART NO.:

DRAWING:



PRODUCT REINFORCED WITH POLYPROPYLENE FIBER TO YIELD 6500 MIN. DESIGN STRENGTH.

PROJECT NAME:

Saint Margaret Mary
WINTER PARK, FLORIDA

PROJ. MGR.:

M.C.

PRINTED:

Oct 25 - 06

REVISED:

D. C. KERCKHOFF
C O M P A N Y

© D.C. Kerckhoff
2006

STONE CAST

1901 ELSA AVENUE • NAPLES, FL. 34109 • (239) 597-7218