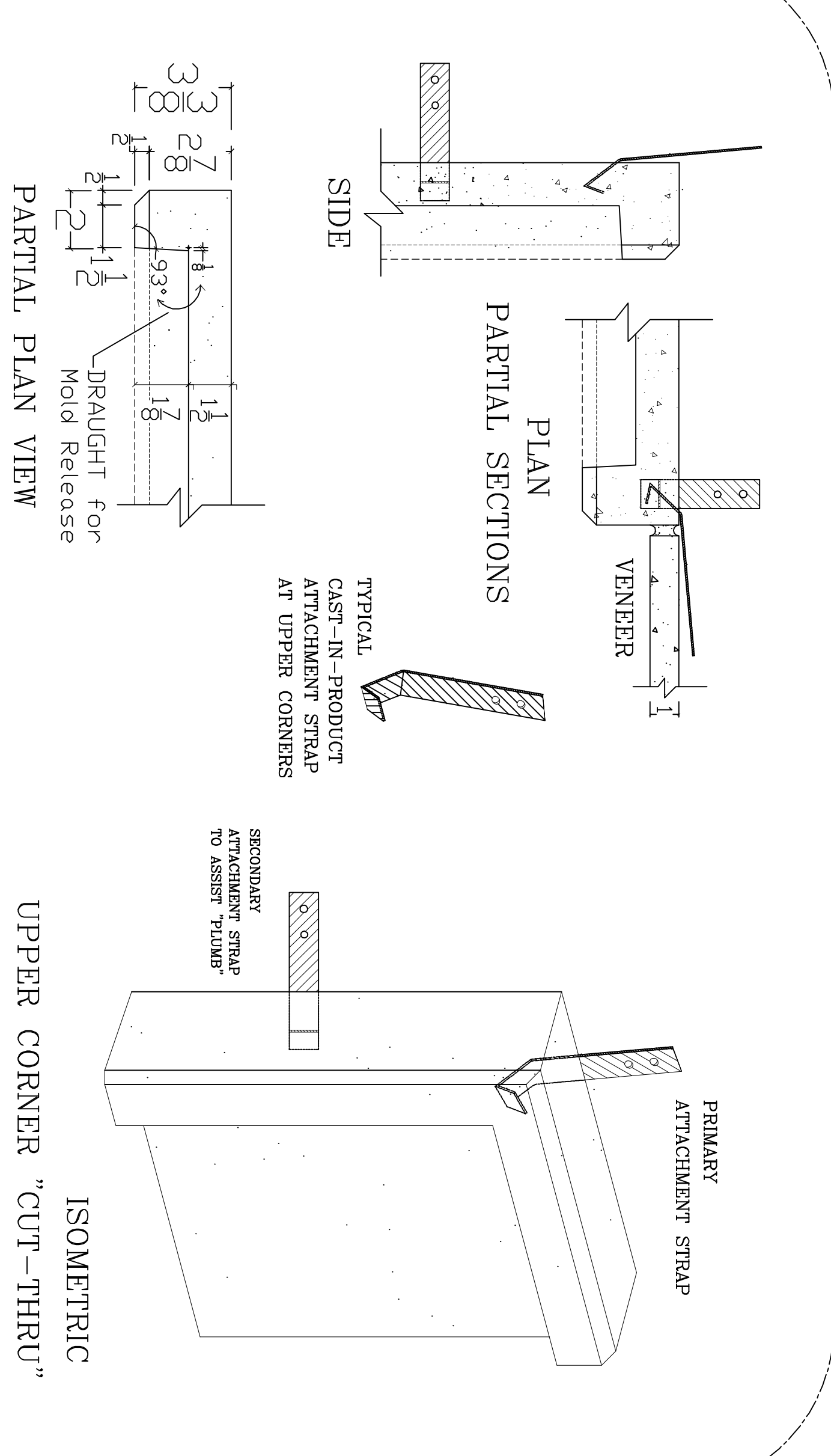
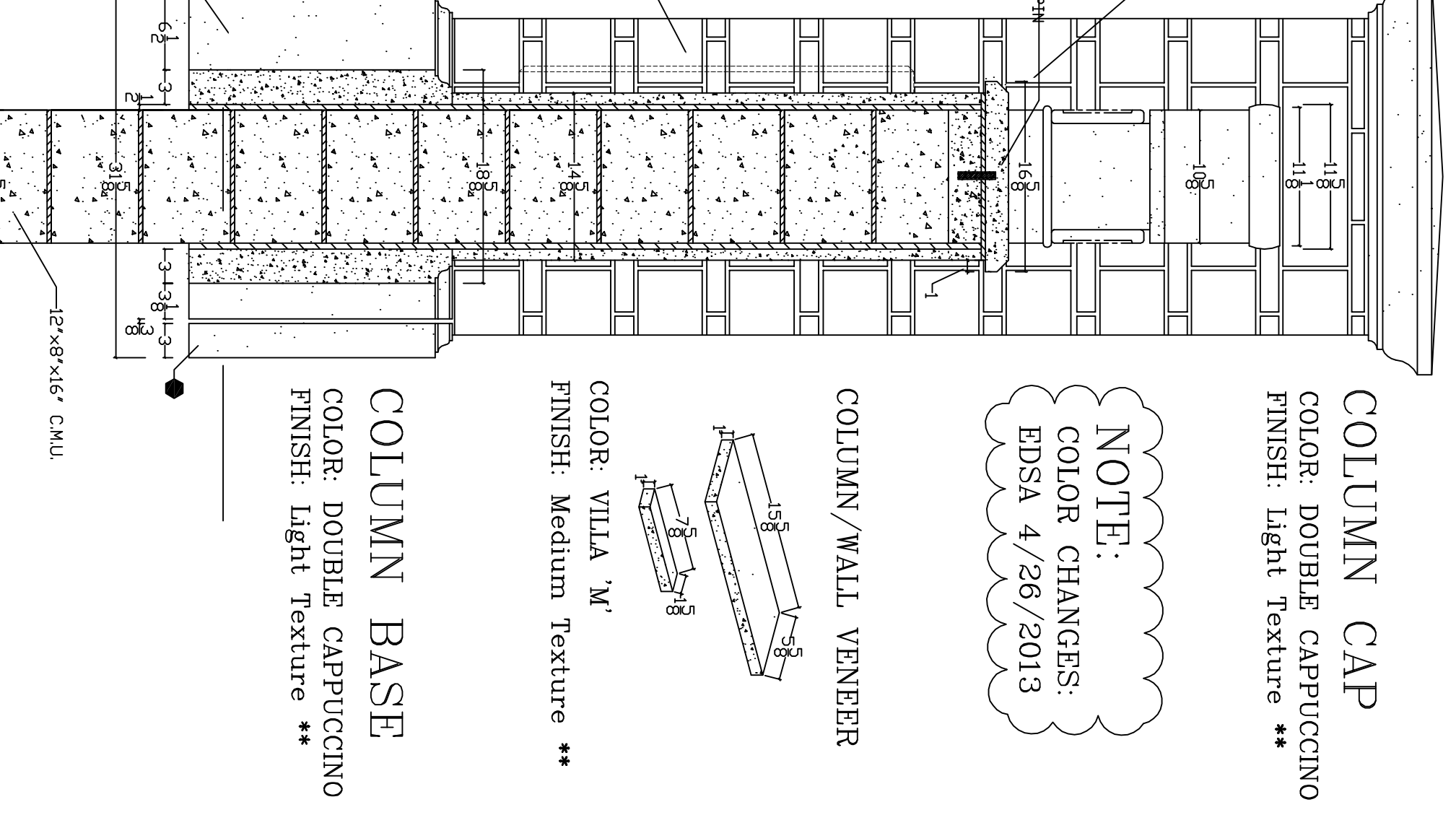
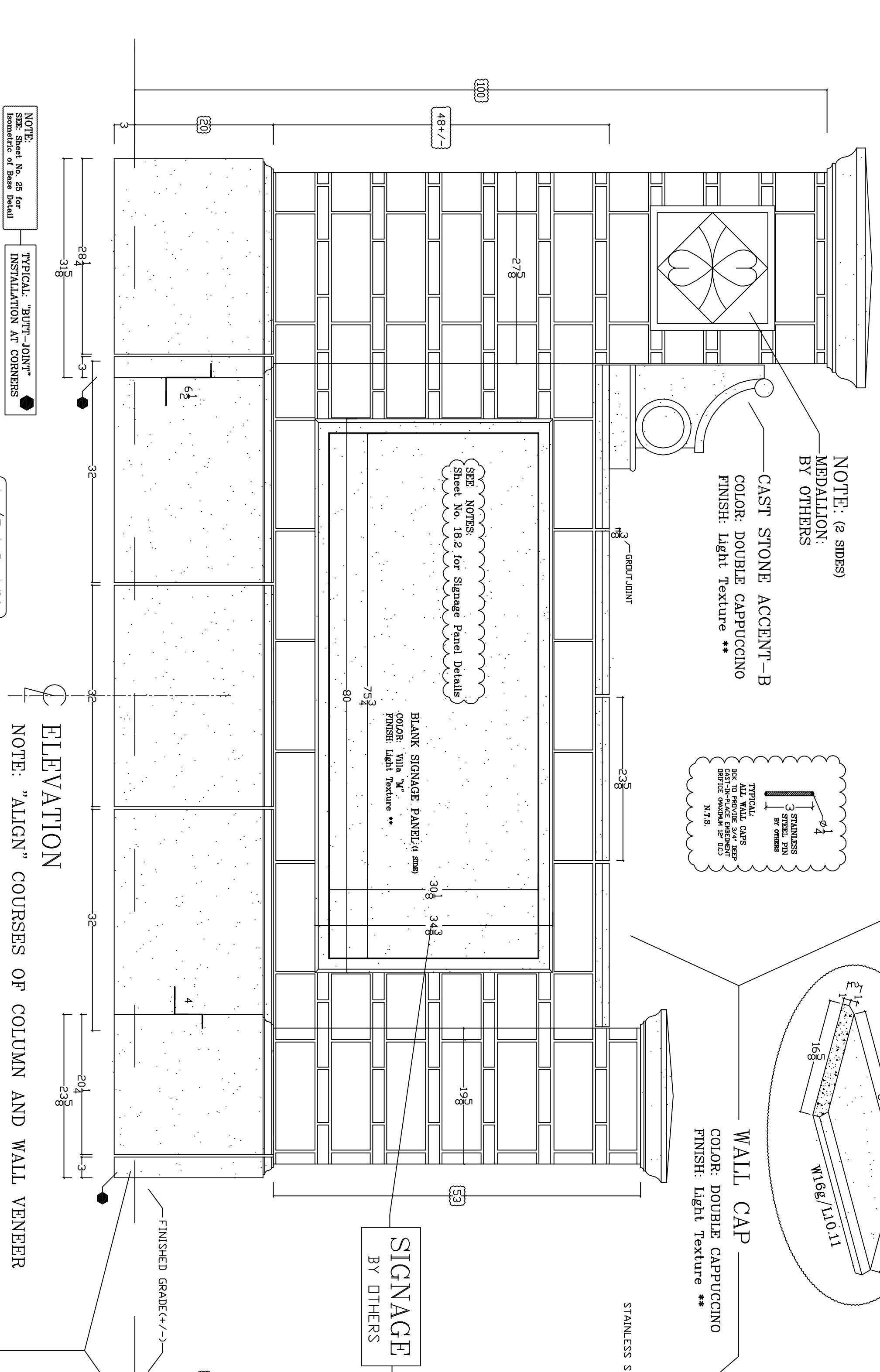


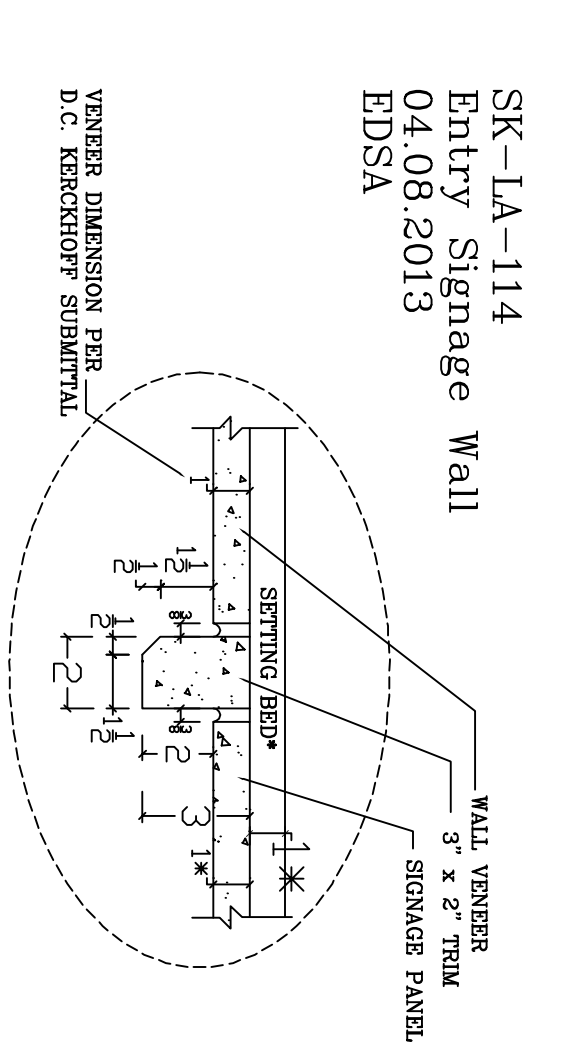
NOTE:
COLOR CHANGES:
EDSA 4/26/2013



WALL SECTION
SCALE: 1" = 1'-0"

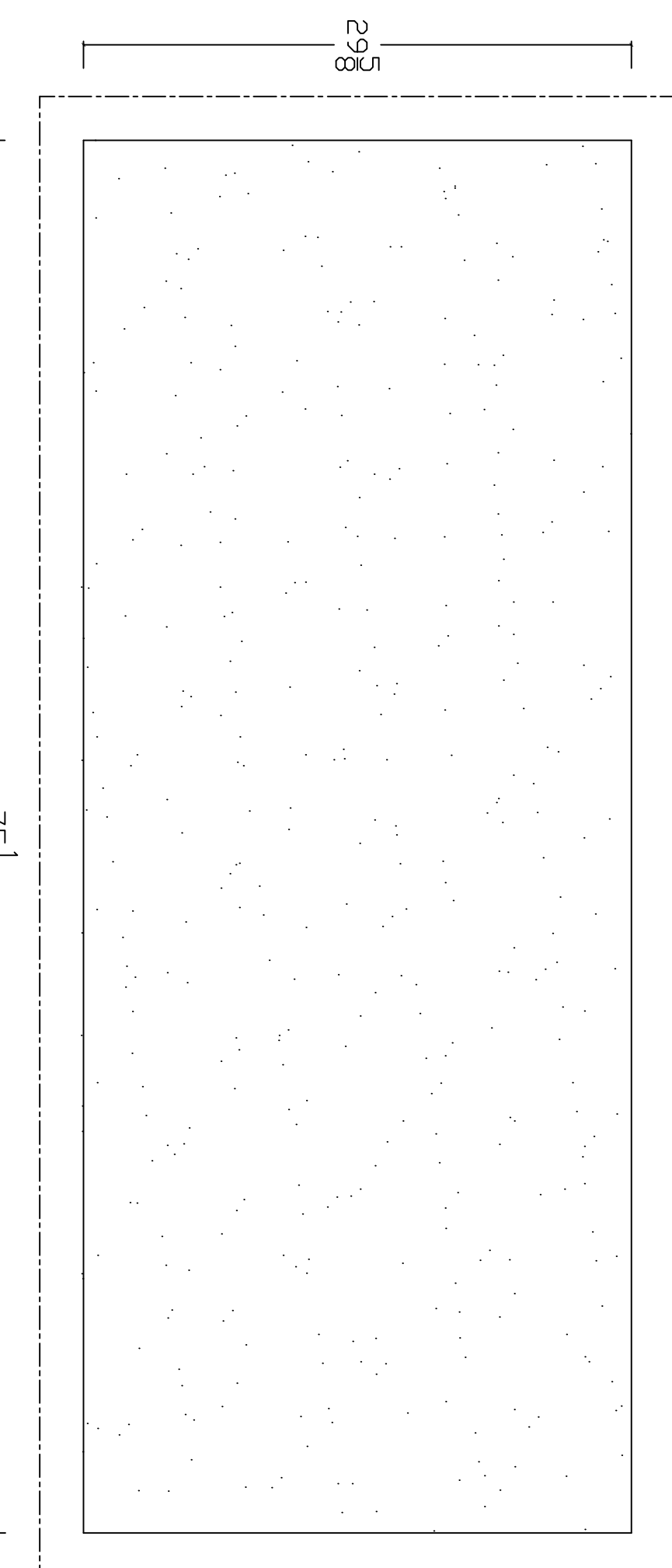
WALL BASE PANELS SHOULD REMAIN "AS DRAWN". EDGES OF CENTER BASE ALIGN WITH CENTER OF VENEER PANELS ABOVE.
ESTHETICALLY, THE "EYE" IS DRAWN TO THE SIGNAGE AND THE SYMMETRY OF THE CAST STONE PLACEMENT OF JOINTS.

****NOTE:**
ARCHITECT TO VERIFY ALL COLORS AND FINISHES.

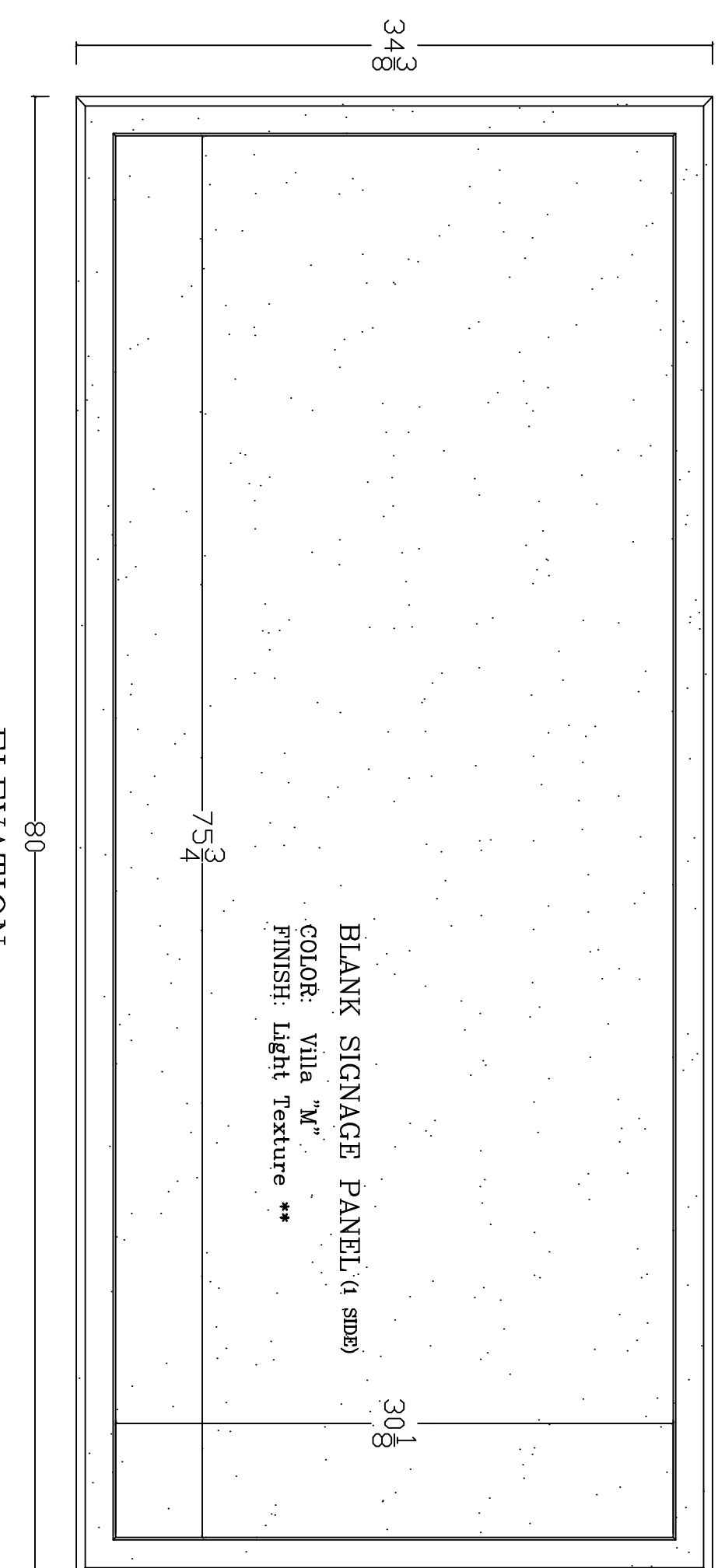


SK-LA-114
Entry Signage Wall
04.08.2013
EDSA

NOTE:
Typical D.C. Kerckhoff Cast Stone Veneer Thickness is One (1") Inch.
Asterisk (*) denotes 'Dimensions' omitted by EDSA's "Drawn To Scale" Revised Detail of "11317/W16 - Monumental Signage Wall" Detail and RFI# 1896 indicates that EDSA proposes the "Rectangular Box" to also have a One (1") Inch Thickness; and, excluding the 3" x 2" Trim and Standard Masonry 3/8" Grout Joint, the "Net Height and Width" of the "Rectangular Box" would be 2'-5-5/8" High x 6'-3-1/4" Wide.
At One (1") Inch Thickness (Depth), the proposed Height and Width of a "Print Panel" would be highly susceptible to "breakage" in Shipping and Handling. Also, "Pin Mounting" would be "difficult" at that Depth.
The EDSA Detail's Scale of the "Setting Bed" for the Cast Stone Veneer and Signage Panel appears to exceed the Standard Industry Practice for One Quarter (1/4") Inch Minimum to One Half (1/2") Inch Maximum for Setting Bed Thickness. Any greater thickness would cause Shimming resulting in Misalignment and Improper Attachment of the Products.
D.C. Kerckhoff proposes incorporating the Trim in the perimeter of the Signage Panel for "Rigidity" and "Improved Product Strength". Base of Handling; Cast-In-Piece SS Straps for More Accurate Installation; and, increasing the Thickness/Depth of the Signage Panel to a minimum of One (1") Inch (Thickness/Depth) and the projection of the Perimeter Trim by Three Eighths (3/8") Inch.
The Revised Inner Dimensions would be: 2'-6-1/8" High x 6'-3-3/4" Wide. The "Offset" in the planes of the Veneer and the Signage Panel would be "virtually indistinguishable" resulting a Quality Product and Installation.



PLAN VIEW
EDSA SK-LA-114



PLAN VIEW
D.C. KERCKHOFF

SCALE: 1-1/2" = 1'-0"

SHOP DRAWINGS
PRODUCT: CAST STONE
W16 - MONUMENTAL SIGNAGE WALL
ELEVATION/SECTION/PLAN VIEW

D. C. Kerckhoff Company
Naples, Florida

Project: FOUR SEASONS Hotels & Resorts
Orlando, Florida

Scale: AS NOTED
Date: 10-22-2012

Drawn By: G.J.K
Drawing No: FS-MSWD

Revisions:
1. 11/11/2012
2. 12/07/2012
3. 06/24/2013

SHEET No:
18.2