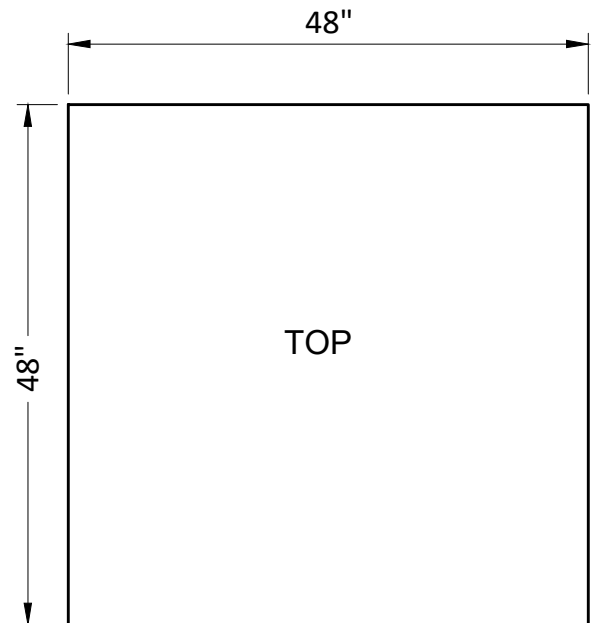
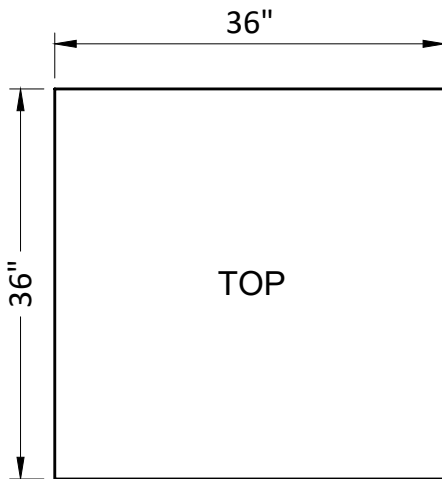
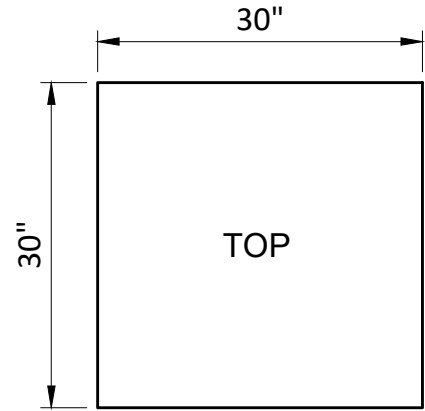
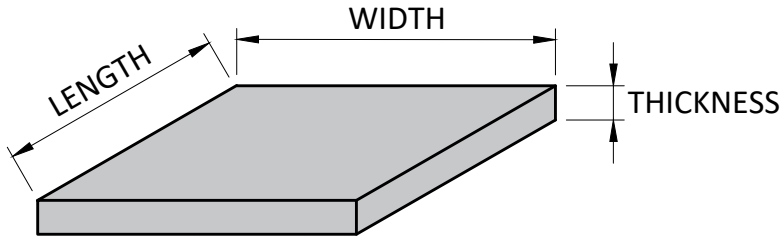
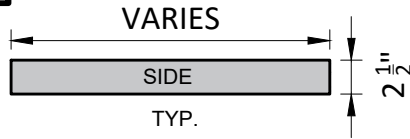




2 1/2" THICK PAVERS



**NOTES:**

1. 6,500 P.S.I. DESIGN MIX
2. ASTM C-1364 FOR CAST-STONE
3. SPECIFICATION FOR CAST-STONE 04720
4. AVAILABLE IN OVER 85 COLORS & ALL KERCKHOFFSTONE TEXTURES
5. COLOR & TEXTURES WILL VARY
6. ABRASION AND MILDEW RESISTANT
7. ALL OVERSIZE THICK COPINGS ARE REINFORCED AS REQUIRED

**CUSTOM PAVERS:**

\*\*\*ALL OTHER SQUARE PAVERS, LINEAR PAVERS, NARROW LINEAR PAVERS, LARGE LINEAR PAVERS, AND ROUND PAVERS SIZES NOT SHOWN ABOVE CAN BE MANUFACTURED UPON REQUEST\*\*\*

