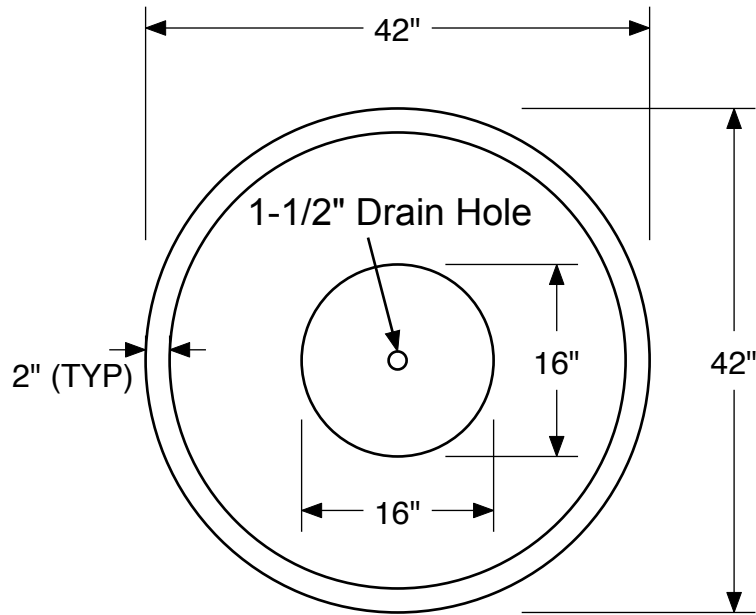
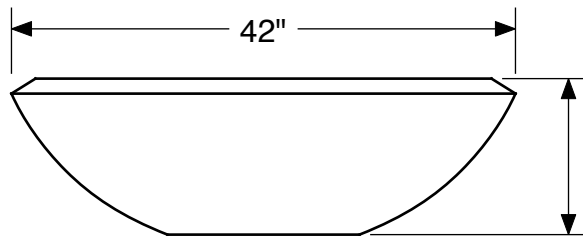


DESCRIPTION: 42" x 42" x 13" Modern Bowl	QTY:	PIECE MARK:
---	------	-------------

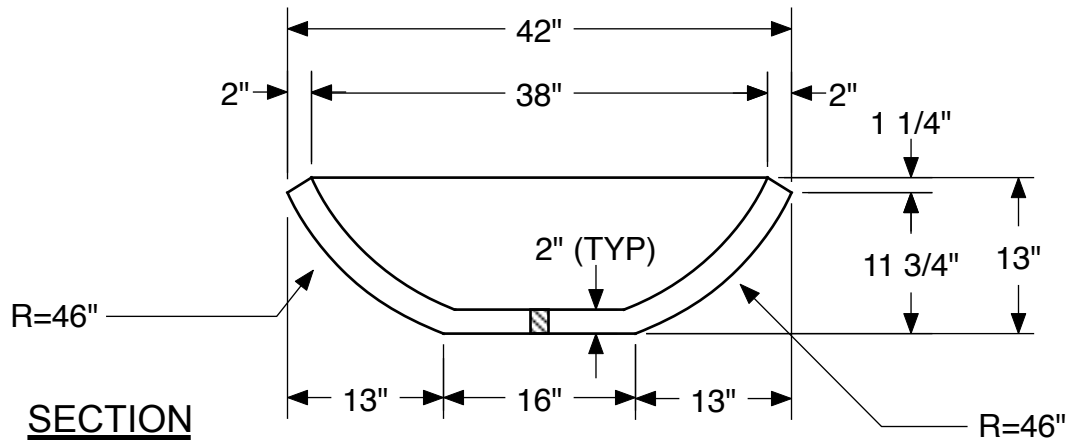
COLOR:	TEXTURE:
--------	----------



PLAN



ELEVATION



SECTION



PROJECT NAME:

SCALE:

3/4" = 1'-0"

WEIGHT / PIECE:

385 LBS

SHEET #:

OF