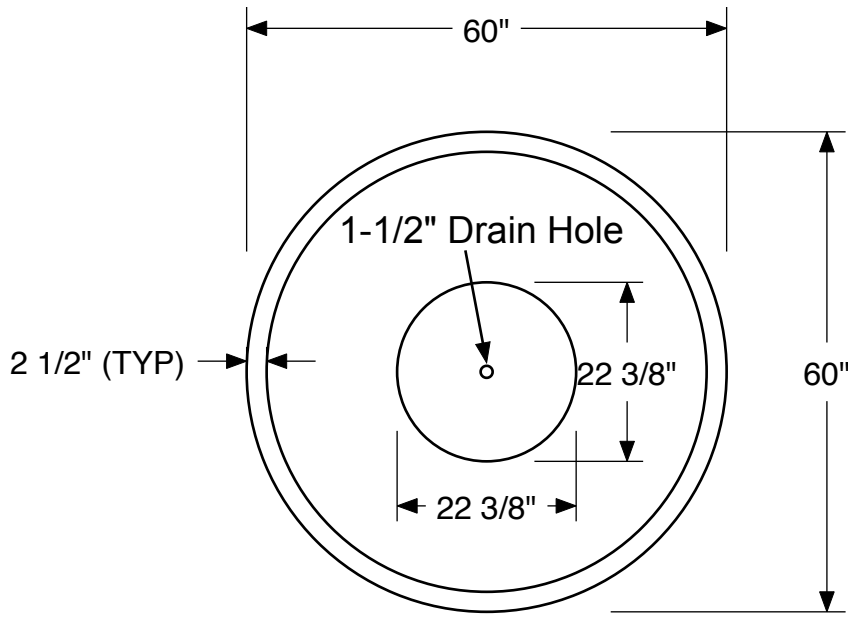
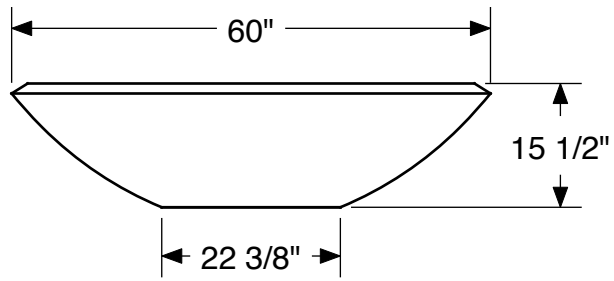


DESCRIPTION:	60" x 60" x 15-1/2" Modern Bowl	QTY:	PIECE MARK:
--------------	---------------------------------	------	-------------

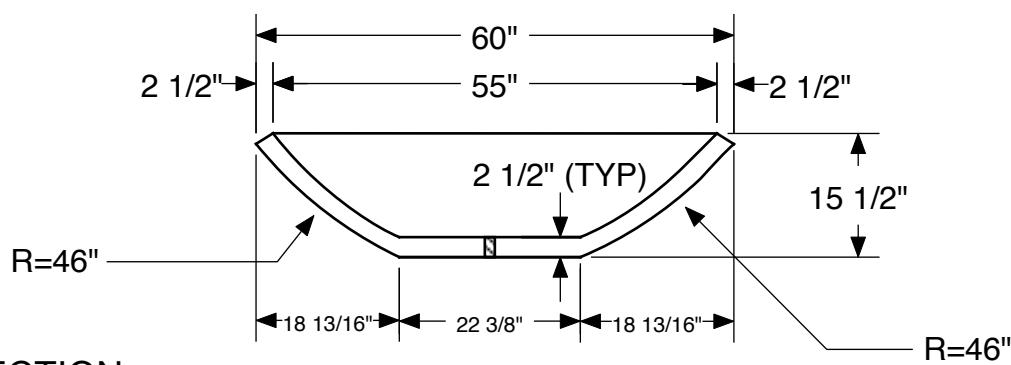
COLOR:	TEXTURE:
--------	----------




PLAN



ELEVATION



SECTION

 <p>© 2016</p>	PROJECT NAME:		
	SCALE: 1/2" = 1'-0"	WEIGHT / PIECE: 609 LBS	SHEET #: OF