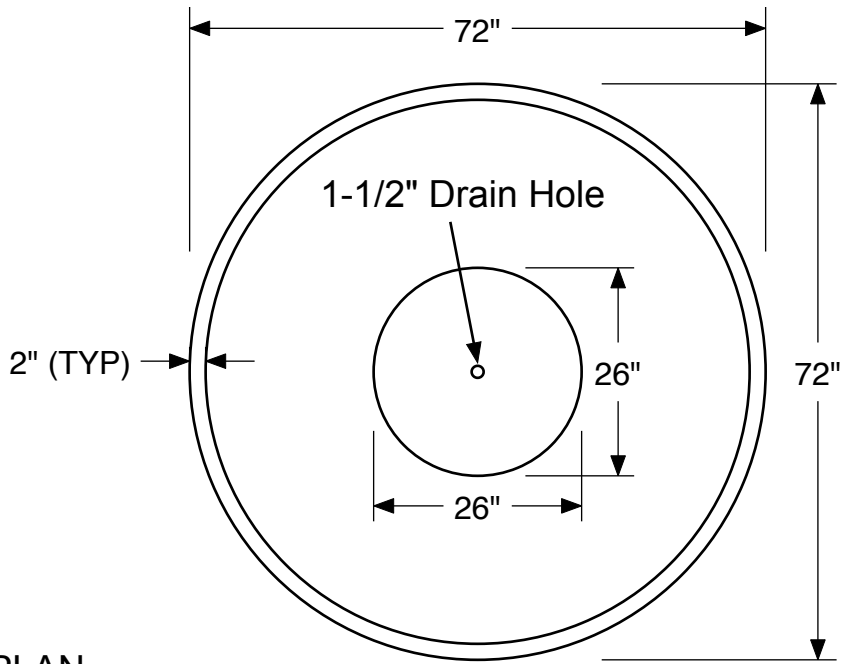
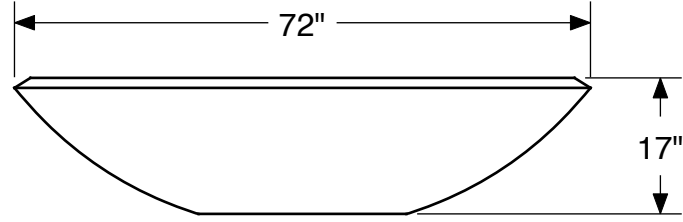


DESCRIPTION:	72" x 72" x 17" Modern Bowl	QTY:	PIECE MARK:
--------------	-----------------------------	------	-------------

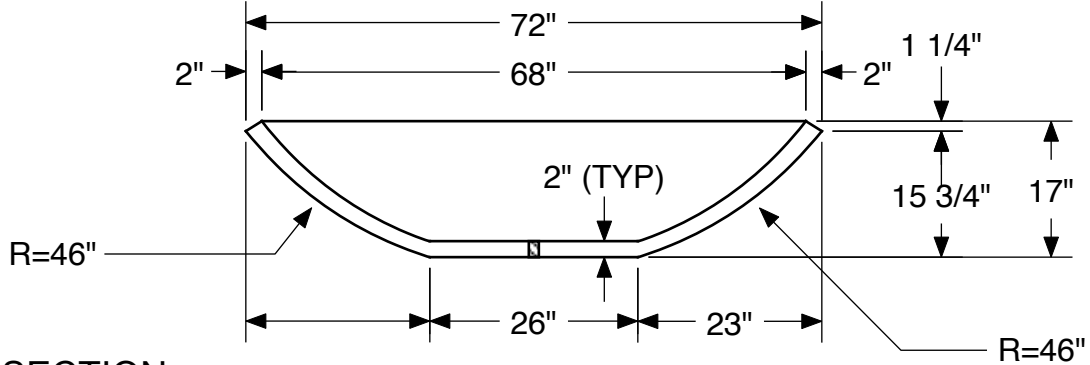
COLOR:	TEXTURE:
--------	----------




PLAN



ELEVATION



SECTION

 <p>© 2016</p>	PROJECT NAME:		
	Carlyle - Bowl		
SCALE:	WEIGHT / PIECE:	SHEET #:	
1/2" = 1'-0"	1,600 LBS	OF	