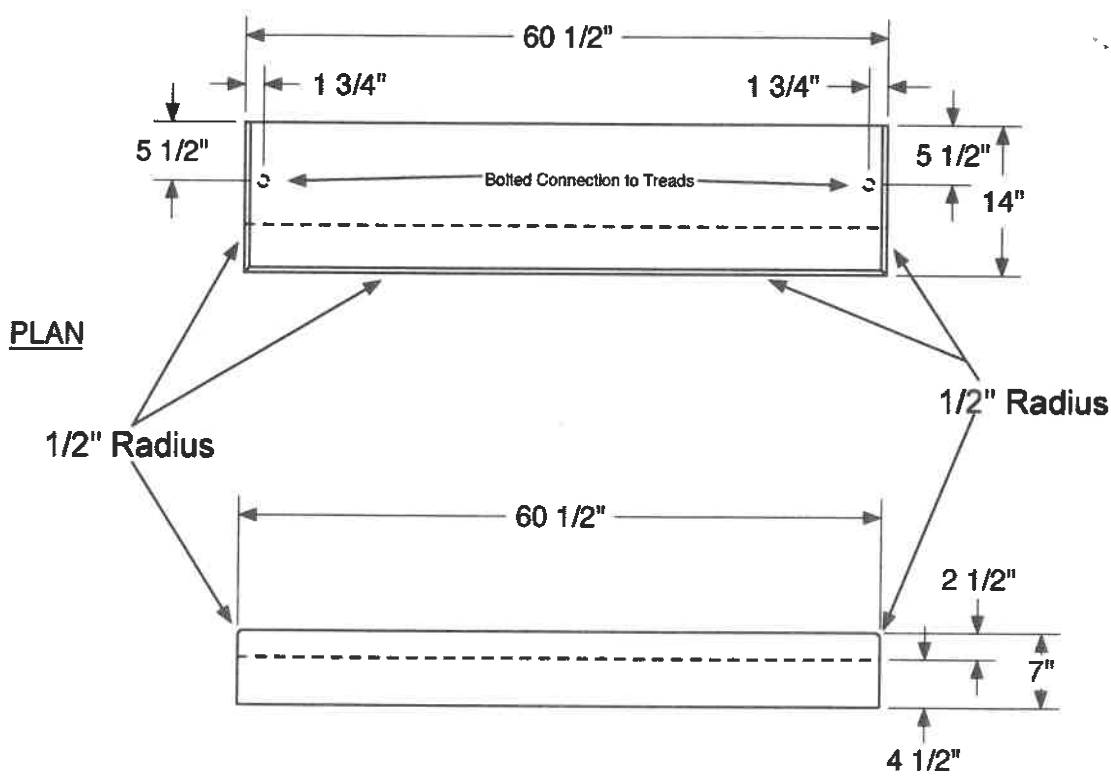
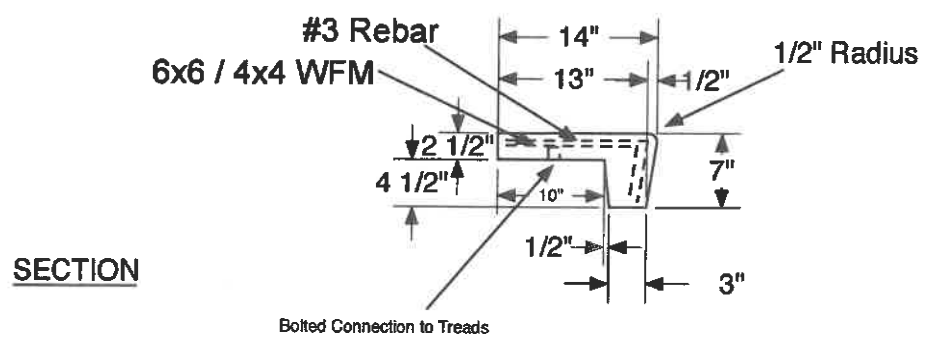


DESCRIPTION:	Treads	QTY:	PIECE MARK:
COLOR:	TEXTURE:		



ELEVATION



SECTION



PROJECT NAME:	Treads		
SCALE:	WEIGHT / PIECE:	SHEET #:	
3/4" = 1'-0"	269 LBS	1 OF 1	