

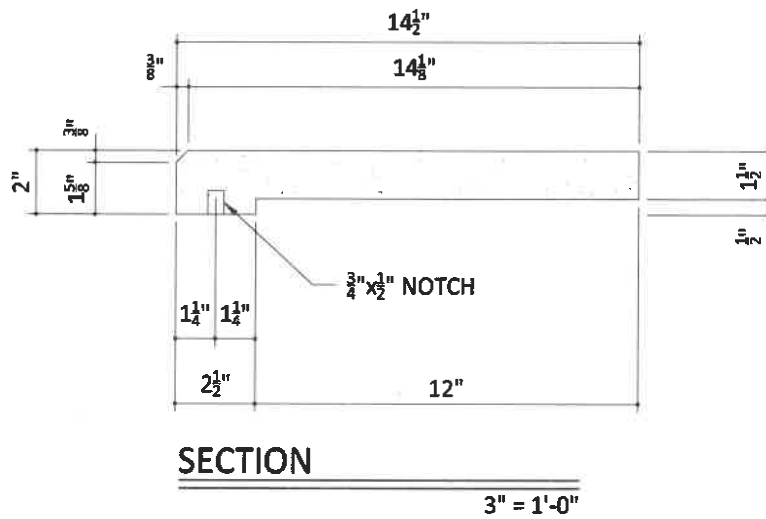
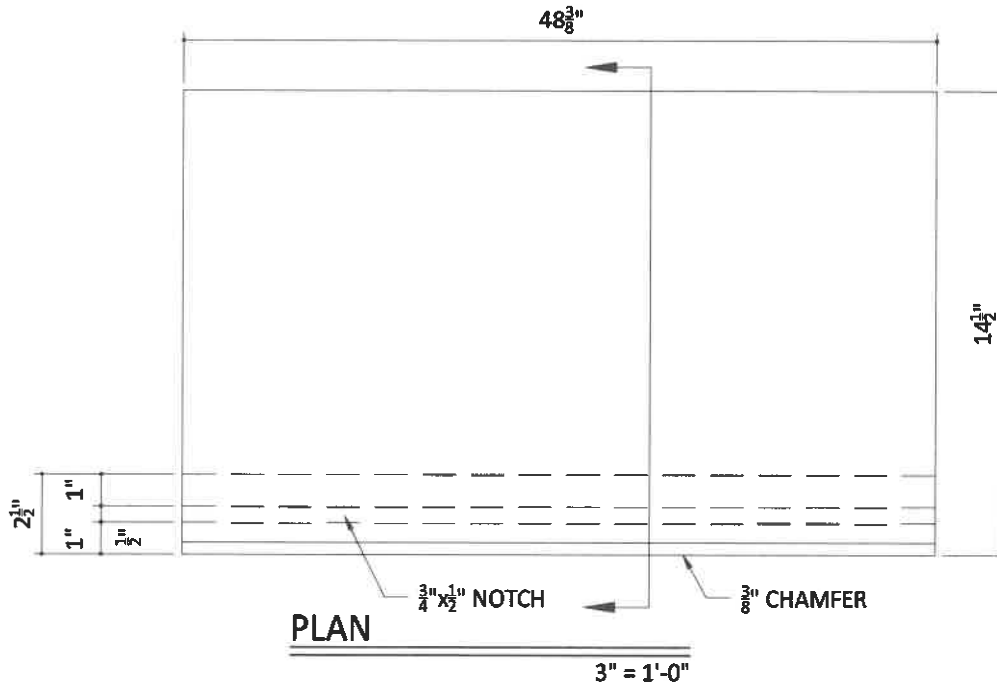
DESCRIPTION: TREADS w LIGHT NOTCH  
@ EXTERIOR STAIRS

QTY:

PIECE MARK:

COLOR:

TEXTURE:



PROJECT NAME:

HARDSCAPE

SCALE

WEIGHT / PIECE

SHEET #:

3" = 1'-0"

96#