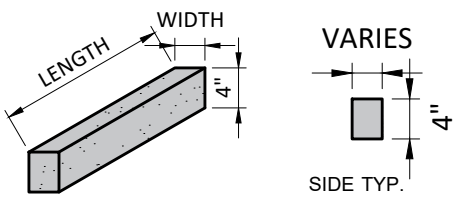
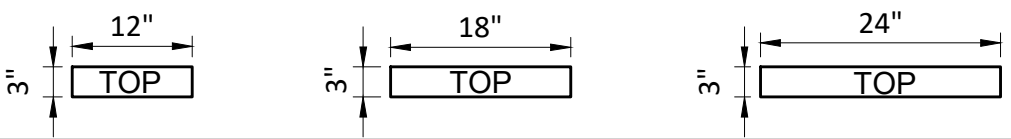




NARROW PAVER SERIES

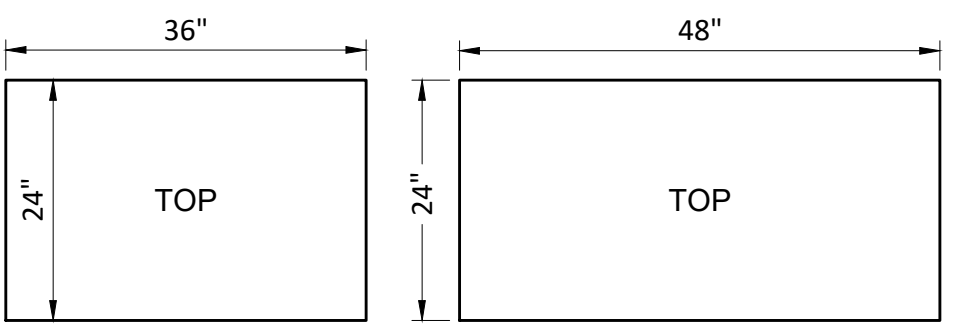
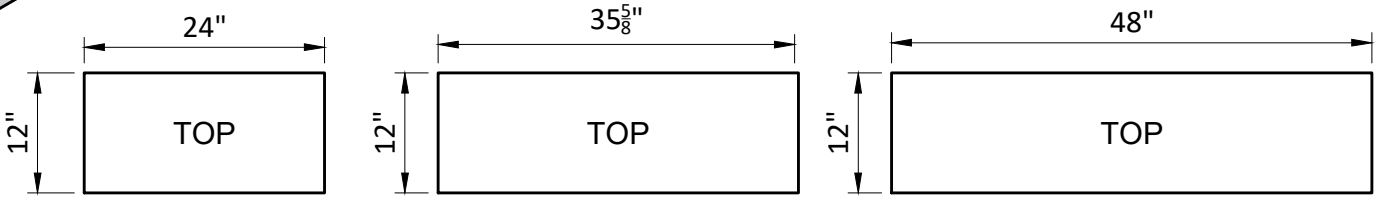
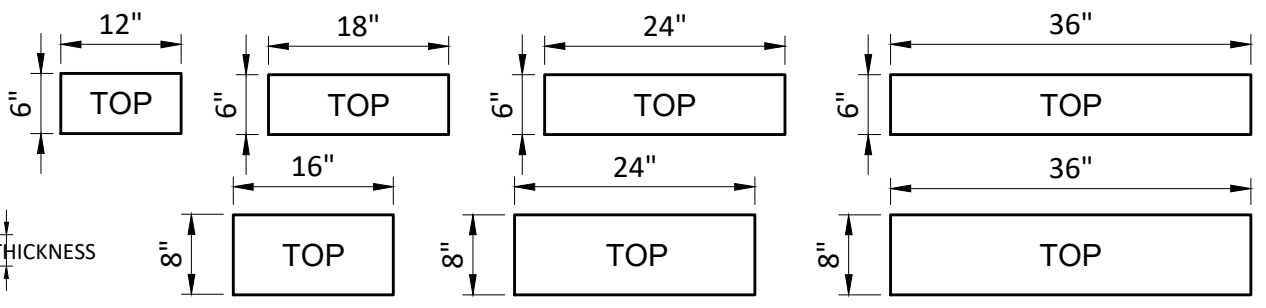
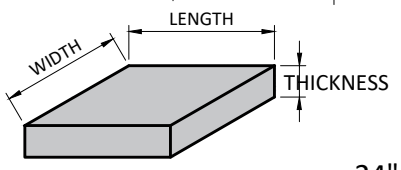
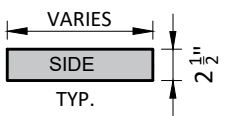


4" THICK PAVERS



LARGE LINEAR PAVER SERIES

2 1/2" THICK PAVERS



NOTES:
 1. 6,500 P.S.I. DESIGN MIX
 2. ASTM C-1364 FOR CAST-STONE
 3. SPECIFICATION FOR CAST-STONE 04720
 4. AVAILABLE IN OVER 85 COLORS & ALL STANDARD KERCKHOFFSTONE TEXTURES
 5. COLOR & TEXTURES WILL VARY
 6. ABRASION AND MILDEW RESISTANT
 7. ALL OVERSIZE THICK COPINGS ARE REINFORCED AS REQUIRED
CUSTOM PAVERS:
 ALL OTHER SQUARE PAVERS, LINEAR PAVERS, NARROW LINEAR PAVERS, LARGE LINEAR PAVERS, AND ROUND PAVERS SIZES NOT SHOWN ABOVE CAN BE MANUFACTURED UPON REQUEST

