



Connection Design Assistance Manual

*Architectural
Precast
Concrete*



*Glass
Fiber
Reinforced
Concrete*



*Cast
Stone*





TABLE OF CONTENTS

PART 1 - ARCHITECTURAL PRECAST CONCRETE

1.1	CONCRETE STRUCTURE	1-1
A.	Type 1 - Load Bearing to Floor Slab	1-1
B.	Type 2 - Load Bearing to Floor Slab	1-2
C.	Type 3 - Load Bearing to Floor Slab	1-3
D.	Type 4 - Load Bearing to Floor Slab	1-4
E.	Type 5 - Load Bearing to Floor Slab	1-5
F.	Lateral Tieback to Top of Slab	1-6
G.	Load to Foundation or Curb	1-7
H.	Load Bearing to Cast-in-Place Curb.....	1-8
I.	Load and Tieback to Shear Wall	1-9
J.	Lateral Tieback to Shear Wall	1-10
1.2	STEEL STRUCTURE.....	1-11
A.	Load to Column	1-11
B.	Load to Perimeter Beam	1-12
C.	Tieback to Top of Beam	1-13
D.	Tie Back Top of Concrete Deck	1-14
E.	Tie Back to Underside of Beam.....	1-15
F.	Lateral Connection Below Beam	1-16
G.	Tie back Connection to Column	1-17
1.3	MISCELLANEOUS CONNECTIONS	1-18
A.	Panel to Panel Stacked Load Bearing.....	1-18
B.	Panel to Panel Load Bearing.....	1-19
C.	Panel to Panel – Non Load Bearing	1-20
D.	Panel to Panel – Non Load Bearing	1-21
E.	Type 1 - Column Enclosures Connection.....	1-22
F.	Type 2 - Column Enclosures Connection.....	1-23
G.	Load Bearing Below Structure.....	1-24

PART 2 - GLASS FIBER REINFORCED CONCRETE (GFRC)

2.1	CONNECTIONS.....	2-1
A.	Load to Top of Perimeter Beam	2-1
B.	Tie Back to Underside of Steel Beam	2-2
C.	Roof Cornice	2-3
D.	Load Bearing to Concrete Floor Slab	2-4
E.	Lateral Tieback to Underside of Concrete Slab.....	2-5
F.	Accent Banding	2-6
G.	Soffit	2-7

TABLE OF CONTENTS

PART 3 - CAST STONE

3.1 CONNECTIONS.....	3-1
A. Accent Banding Without Mechanical Fasteners.....	3-1
B. Accent Banding With Mechanical Fasteners.....	3-2
C. Window Sill.....	3-3
D. Window Lintels	3-4
E. Doweled Coping.....	3-5
F. Multiple Units with Mechanical Fasteners	3-6
G. Parapet - Control Joints.....	3-7
H. Soffits	3-8
I. Watertable.....	3-9

PART 1

Architectural Precast Concrete

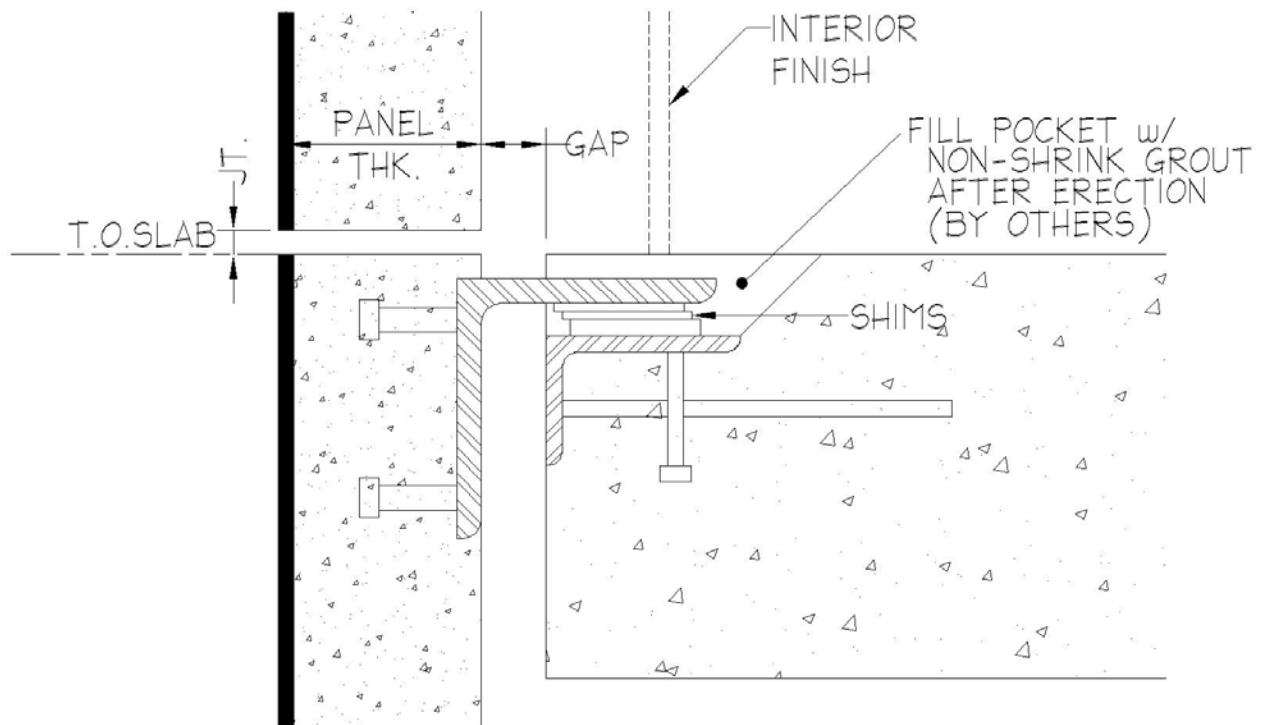


PART 1 - ARCHITECTURAL PRECAST CONCRETE

1.1 CONCRETE STRUCTURE

A. Type 1 - Load Bearing to Floor Slab

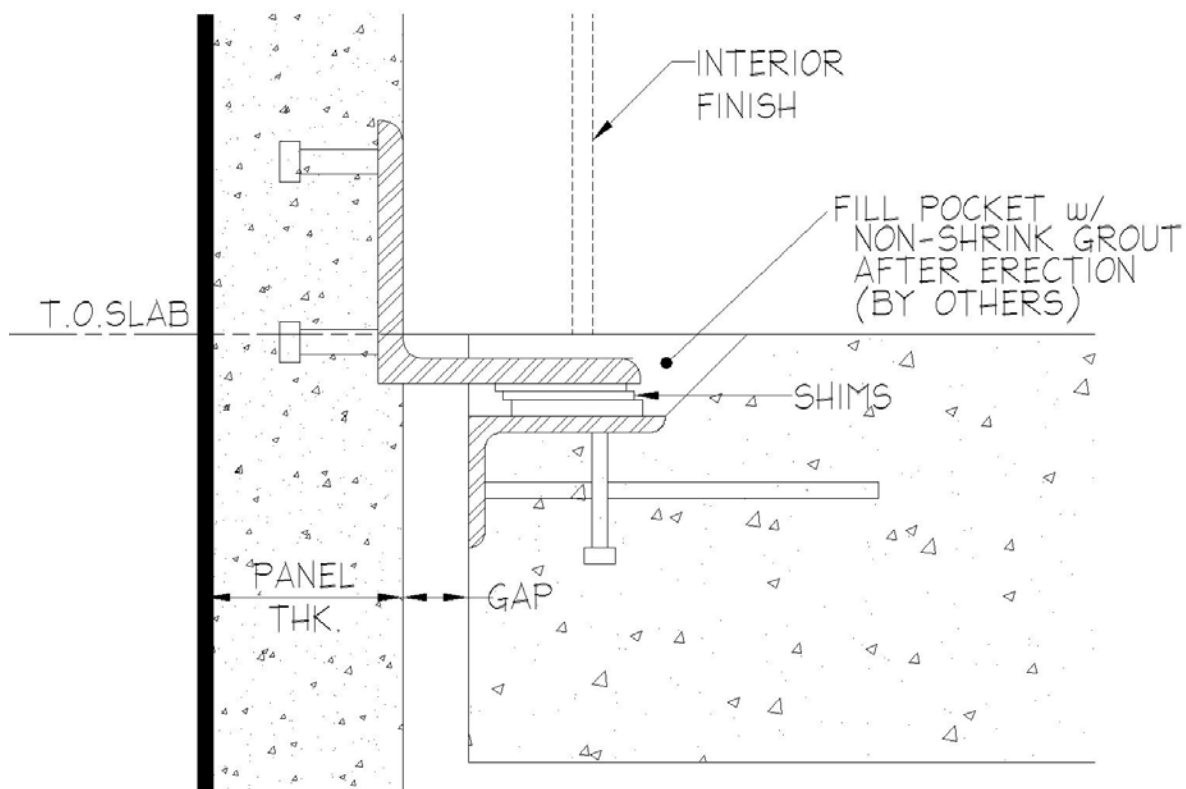
- Connection to concrete slab with precast panel terminating at top of slab.



*Each illustrative connection is shown for concept only.
All connections must be engineered for project specific lateral and loading requirements.
All connections must be approved by a licenced engineerer.*

B. Type 2 - Load Bearing to Floor Slab

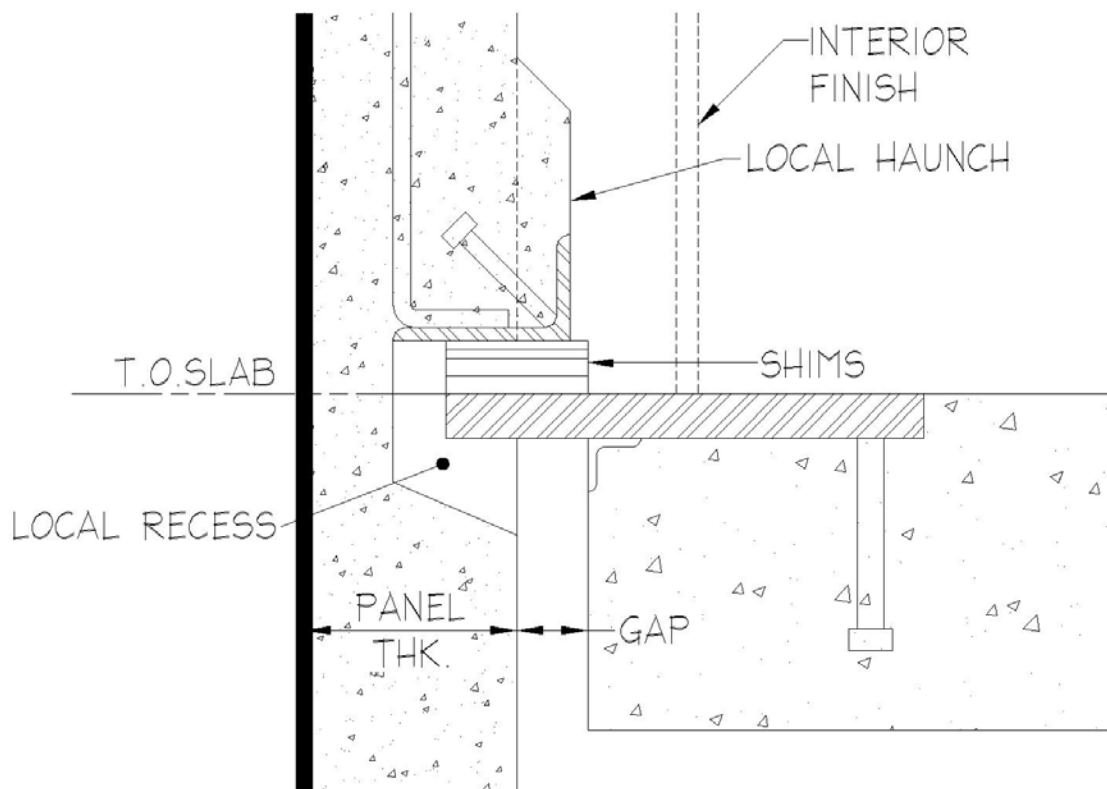
- Top of panel terminates above floor line.
- Load bearing to concrete floor slab with recessed pocket.
- Embed recessed so not to interfere with interior finishes.



*Each illustrative connection is shown for concept only.
All connections must be engineered for project specific lateral and loading requirements.
All connections must be approved by a licenced engineerer.*

C. Type 3 - Load Bearing to Floor Slab

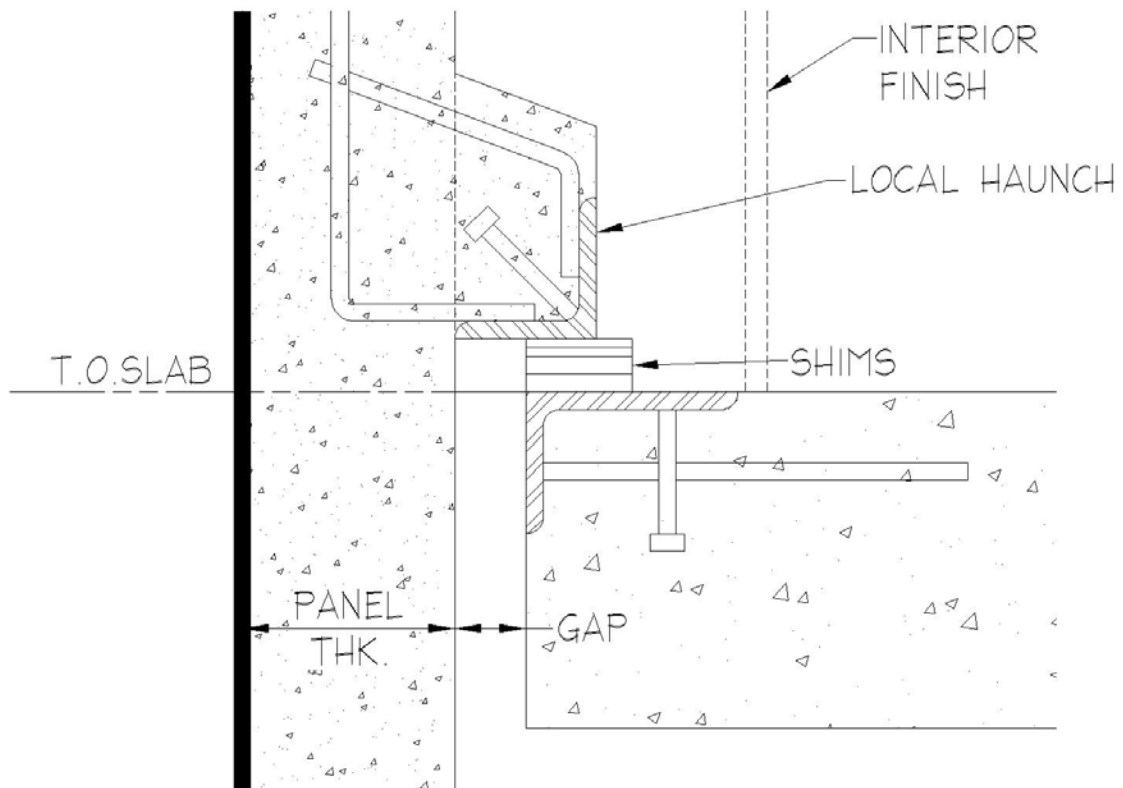
- Projecting bearing plate flush with top of slab.
- Ideal for minimum distance from edge of slab to interior finishes.



*Each illustrative connection is shown for concept only.
All connections must be engineered for project specific lateral and loading requirements.
All connections must be approved by a licenced engineerer.*

D. Type 4 - Load Bearing to Floor Slab

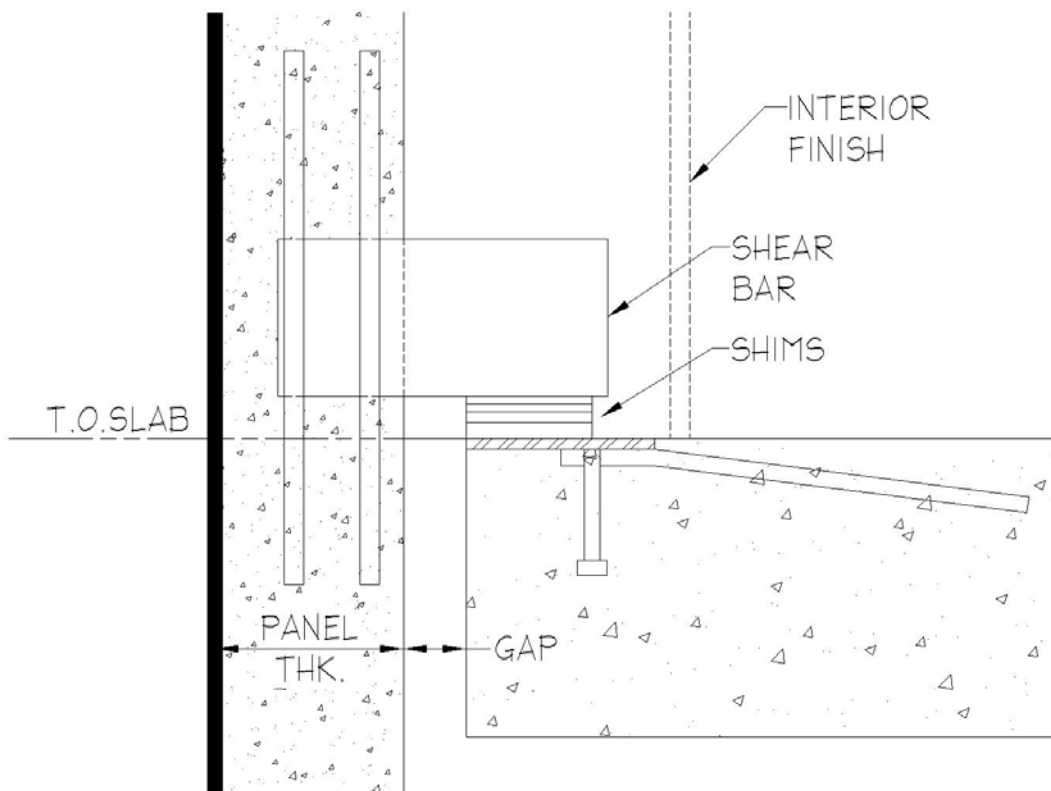
- Typical distance from edge of slab to interior finish.



*Each illustrative connection is shown for concept only.
All connections must be engineered for project specific lateral and loading requirements.
All connections must be approved by a licenced engineerer.*

E. Type 5 - Load Bearing to Floor Slab

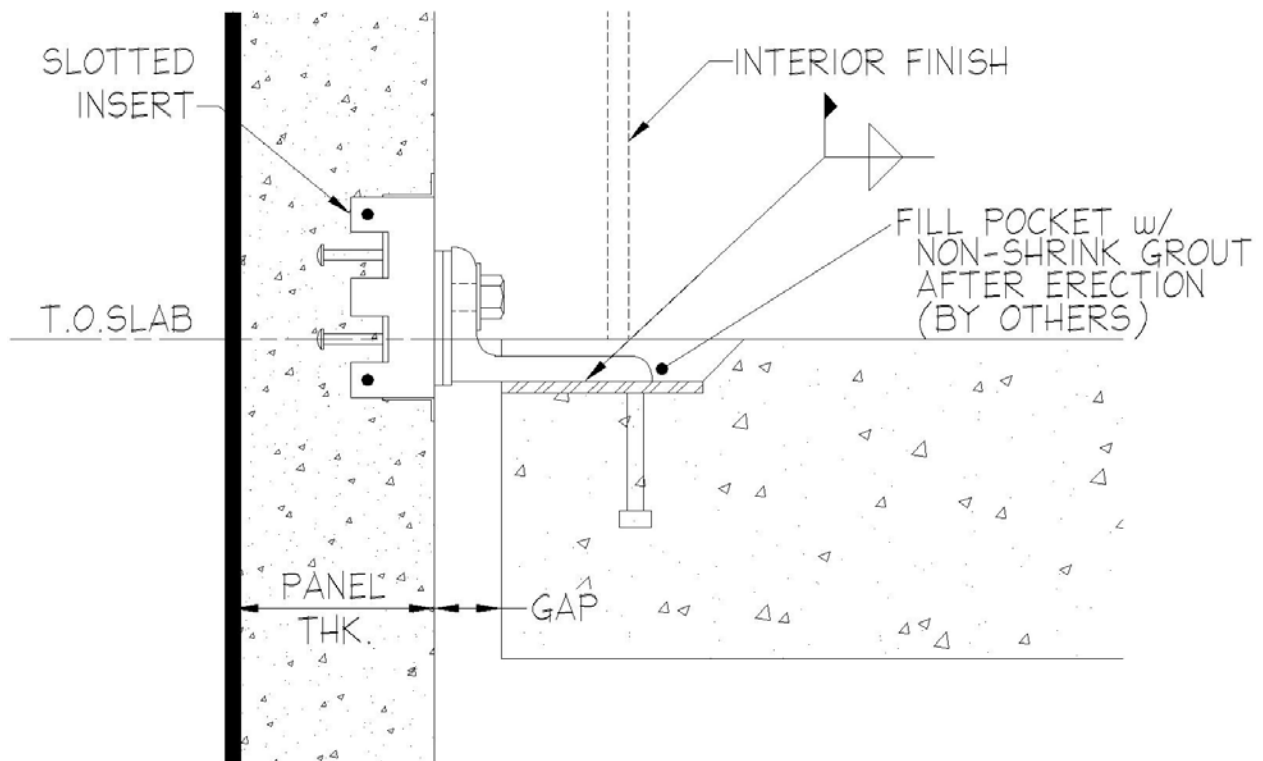
- Similar condition to concrete haunch (connection D).
- This connection may be more cost effective for the precast manufacturer.



*Each illustrative connection is shown for concept only.
All connections must be engineered for project specific lateral and loading requirements.
All connections must be approved by a licenced engineerer.*

F. Lateral Tieback to Top of Slab

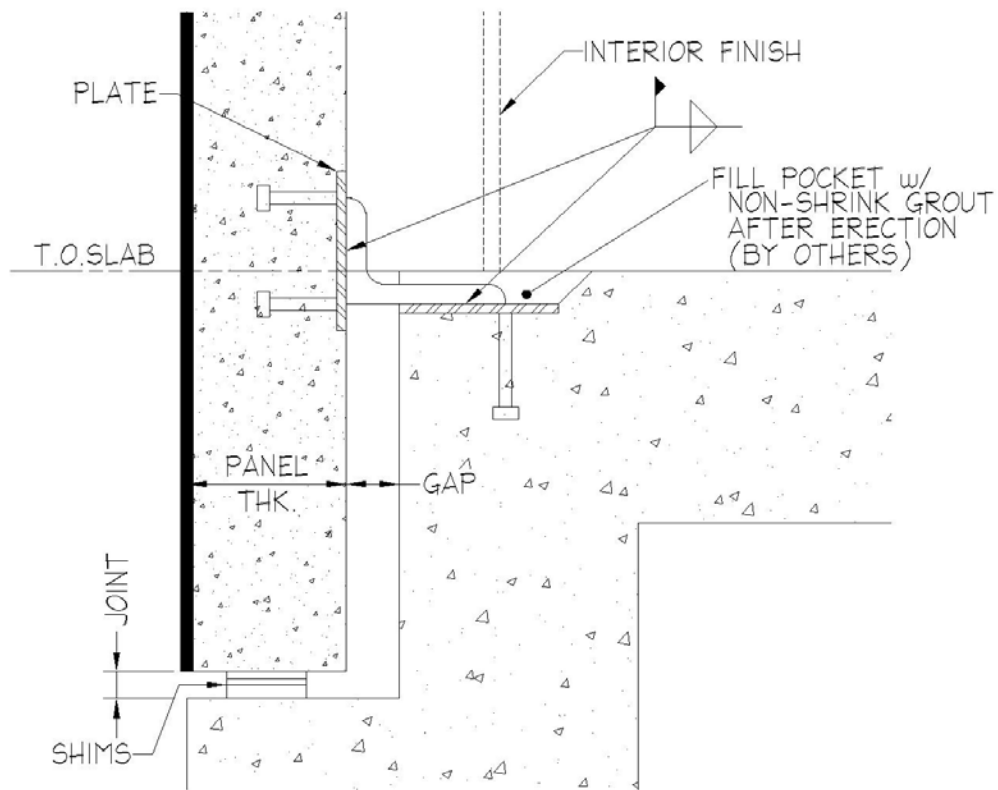
- Slotted insert (vertical) permits deflection of slab.
- Fixed insert in panel may be used with slotted angle in lieu of slotted insert.



*Each illustrative connection is shown for concept only.
All connections must be engineered for project specific lateral and loading requirements.
All connections must be approved by a licenced engineerer.*

G. Load to Foundation or Curb

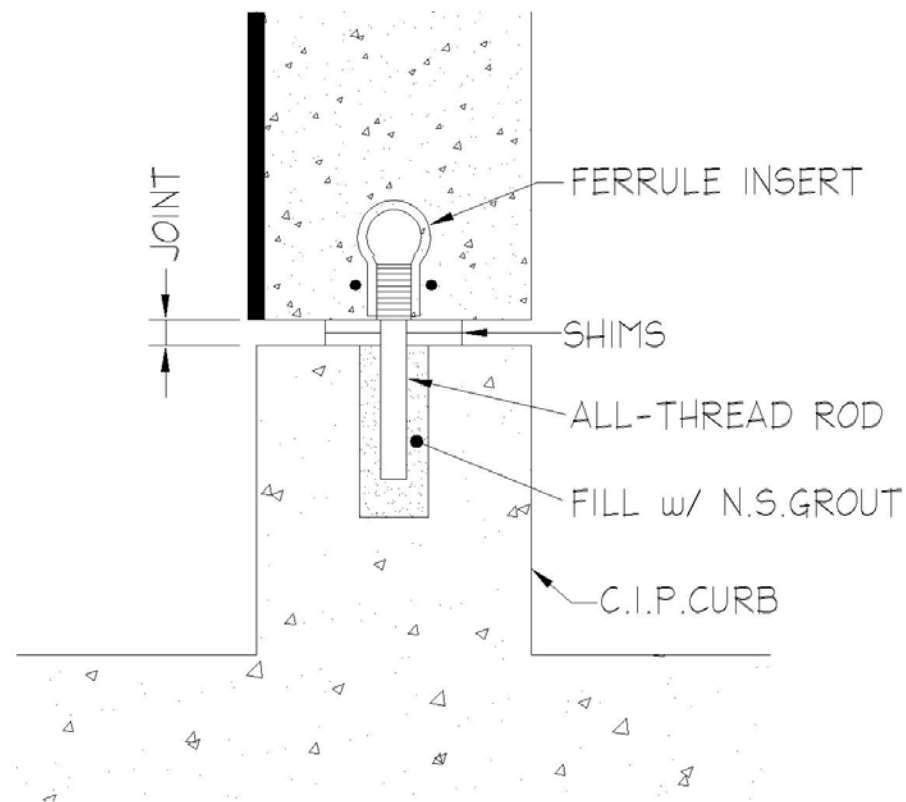
- With lateral tieback to structure.
- Tieback may be welded solid. Foundation will not deflect.
- Waterproofing and grout, if required, by others.



*Each illustrative connection is shown for concept only.
All connections must be engineered for project specific lateral and loading requirements.
All connections must be approved by a licenced engineerer.*

H. Load Bearing to Cast-in-Place Curb

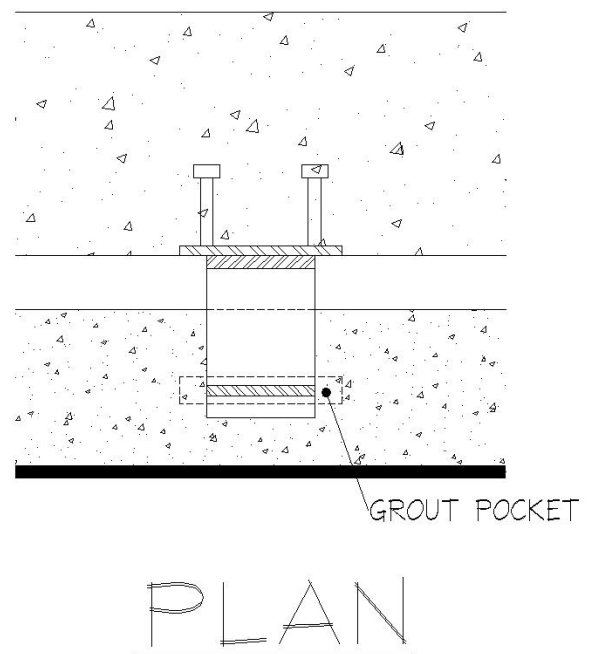
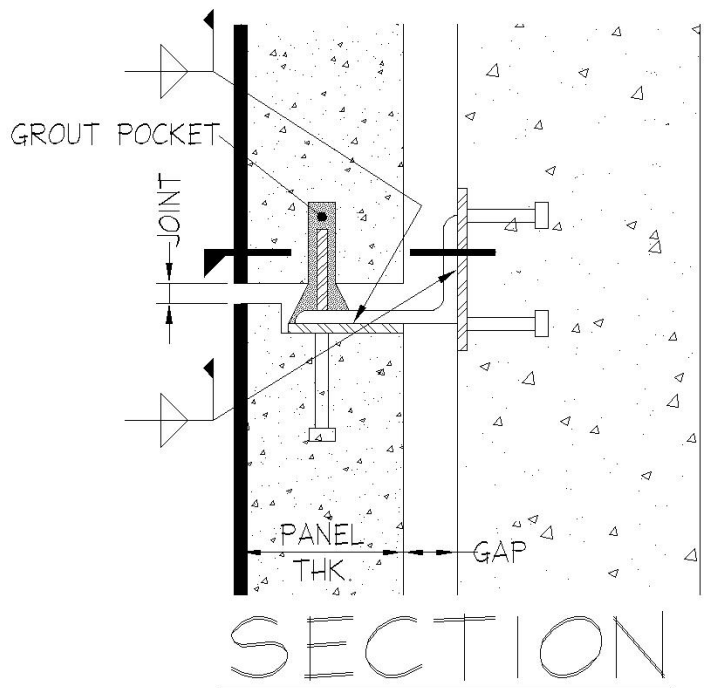
- Shims shown beyond.



*Each illustrative connection is shown for concept only.
All connections must be engineered for project specific lateral and loading requirements.
All connections must be approved by a licenced engineerer.*

I. Load and Tieback to Shear Wall

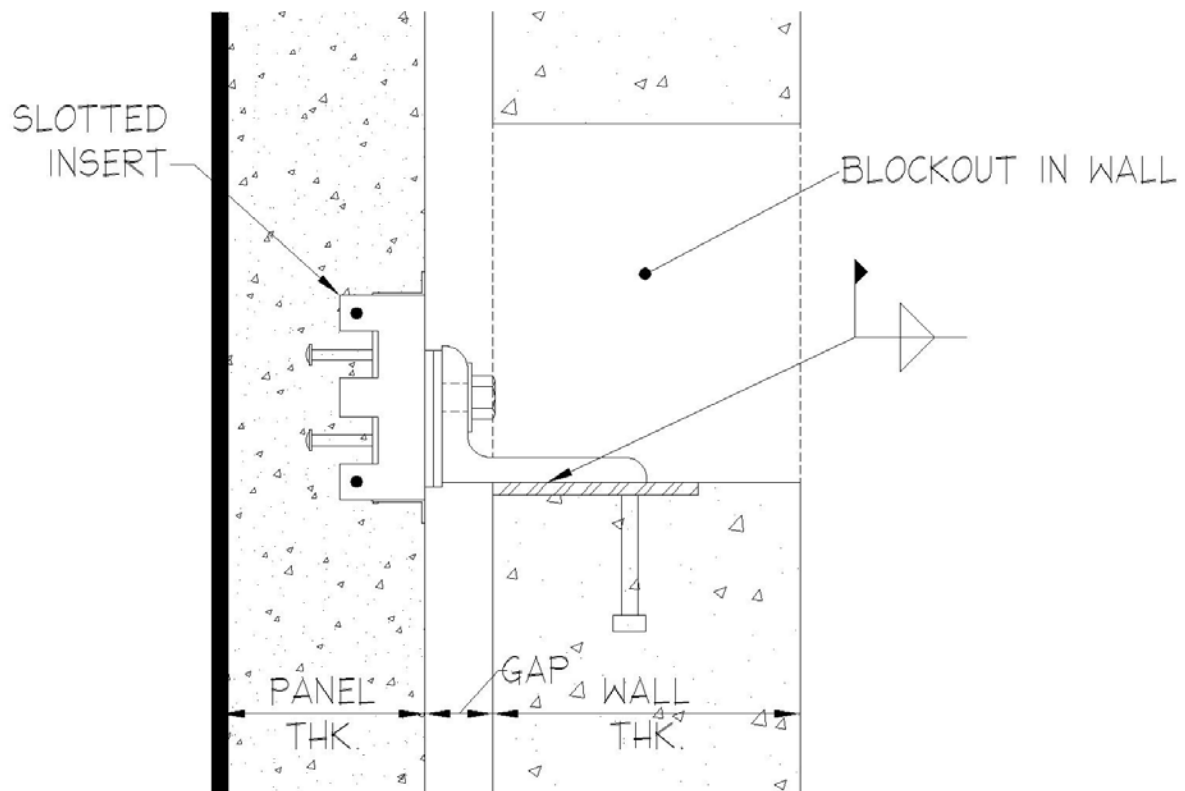
- Access from precast panel face.
- Grout is dammed in place to prevent leakage.
- Shear wall will not deflect, therefore, slotted connection not required.



*Each illustrative connection is shown for concept only.
All connections must be engineered for project specific lateral and loading requirements.
All connections must be approved by a licenced engineerer.*

J. Lateral Tieback to Shear Wall

- Local breakout in shear wall for access from inside structure.
- Filling local breakout by others.
- Insert does not need to be slotted. Shear wall will not deflect.

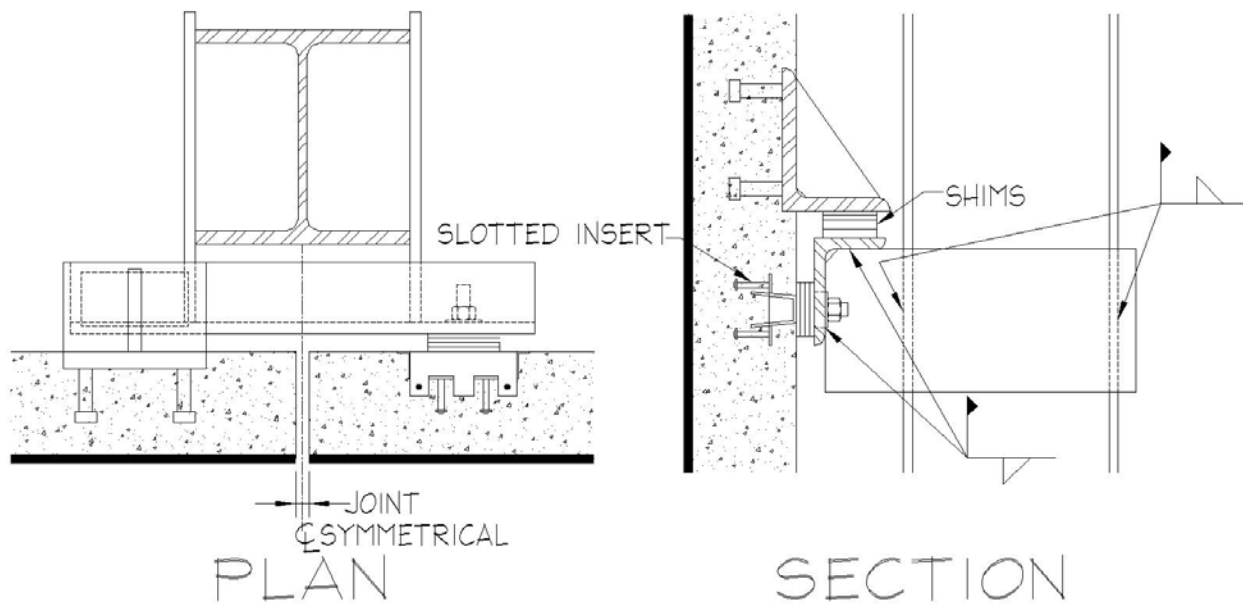


*Each illustrative connection is shown for concept only.
All connections must be engineered for project specific lateral and loading requirements.
All connections must be approved by a licenced engineerer.*

1.2 STEEL STRUCTURE

A. Load to Column

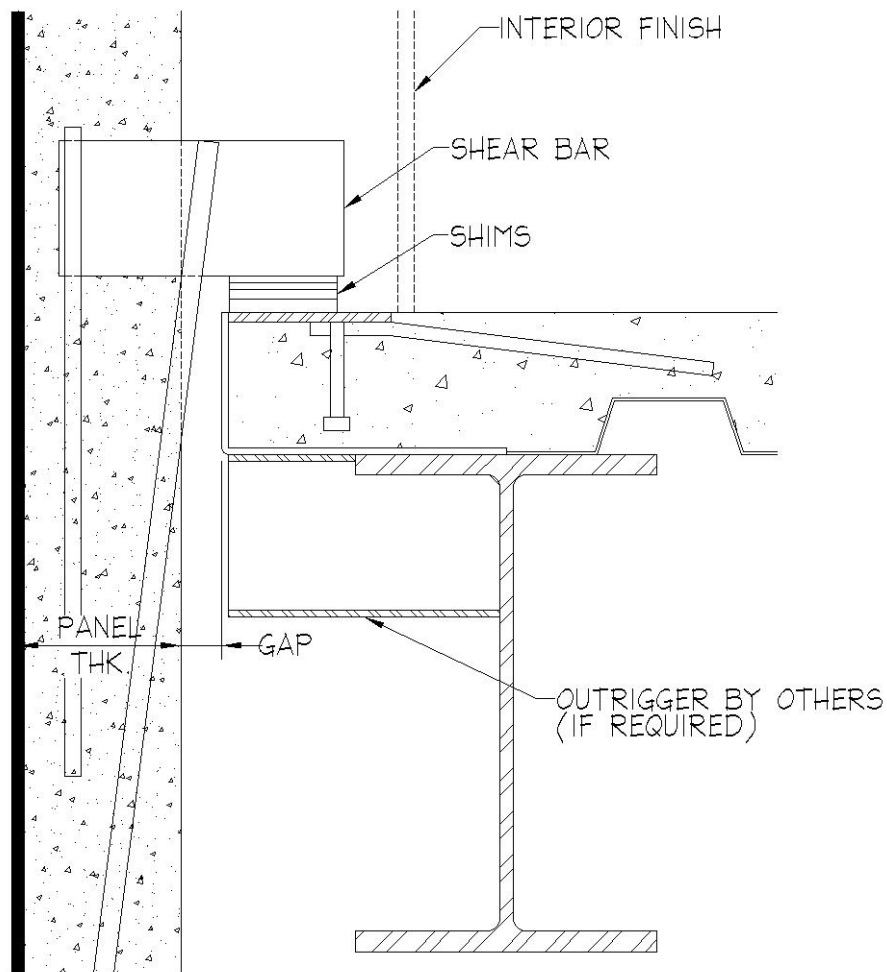
- The precast erector may weld the plates to the column or they may be welded in the shop by the steel fabricator.
- Note that the connection is symmetrical about the centerline of column. Each load-bearing angle receives a tie back connection.
- Angle with slots may be used in lieu of slotted inserts



*Each illustrative connection is shown for concept only.
All connections must be engineered for project specific lateral and loading requirements.
All connections must be approved by a licenced engineerer.*

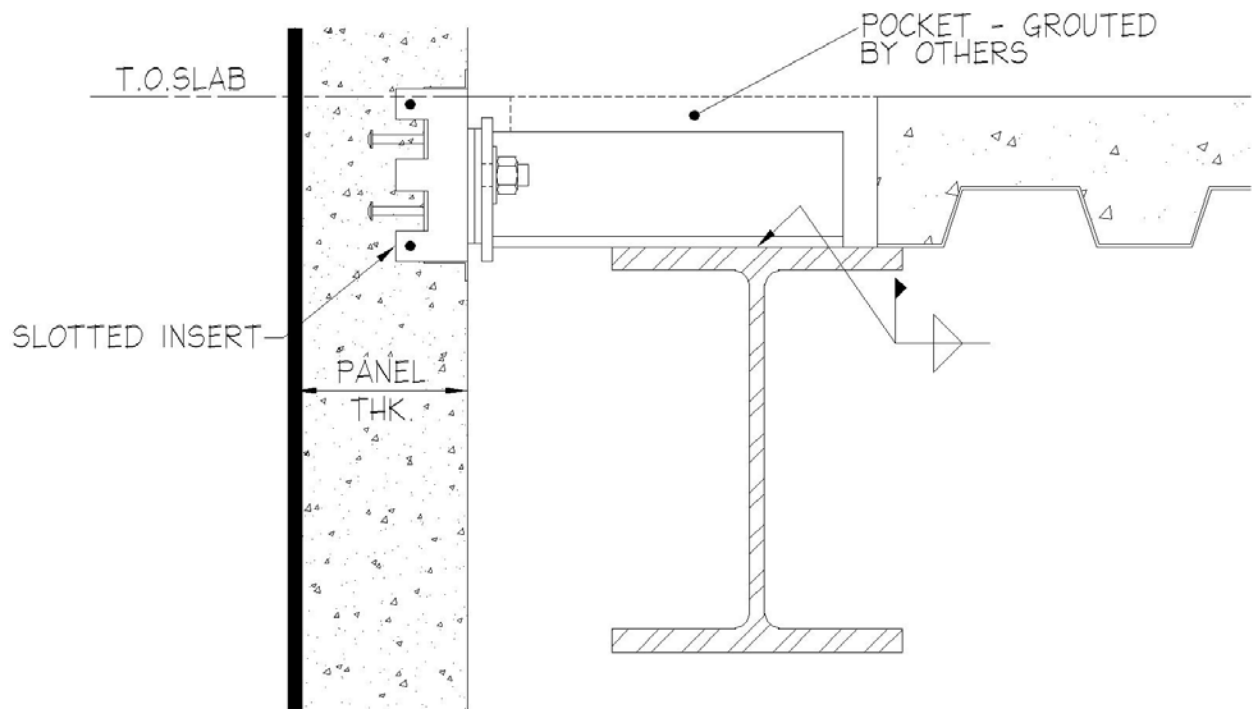
B. Load to Perimeter Beam

- Load to top of concrete deck.
- See connection 1.2, C for lateral tieback example. Slotted insert would run horizontal.



*Each illustrative connection is shown for concept only.
All connections must be engineered for project specific lateral and loading requirements.
All connections must be approved by a licenced engineerer.*

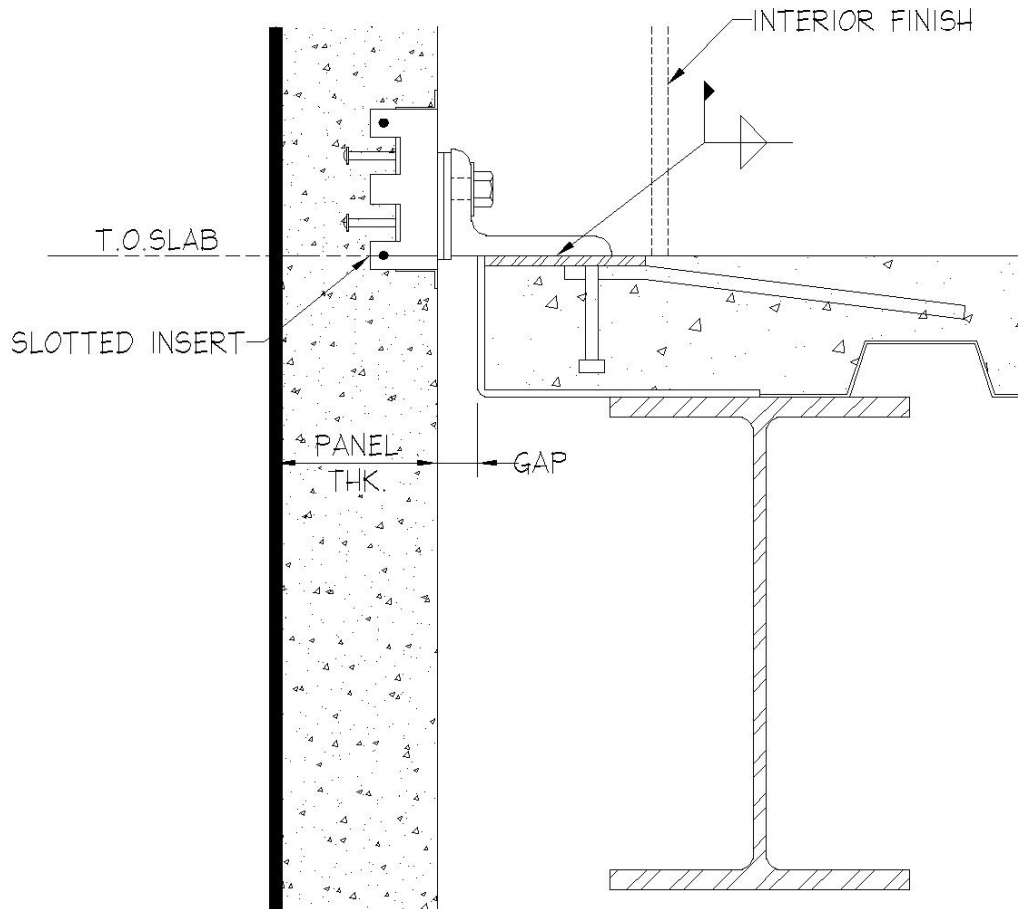
C. Tieback to Top of Beam



Each illustrative connection is shown for concept only.
All connections must be engineered for project specific lateral and loading requirements.
All connections must be approved by a licenced engineerer.

D. Tie Back Top of Concrete Deck

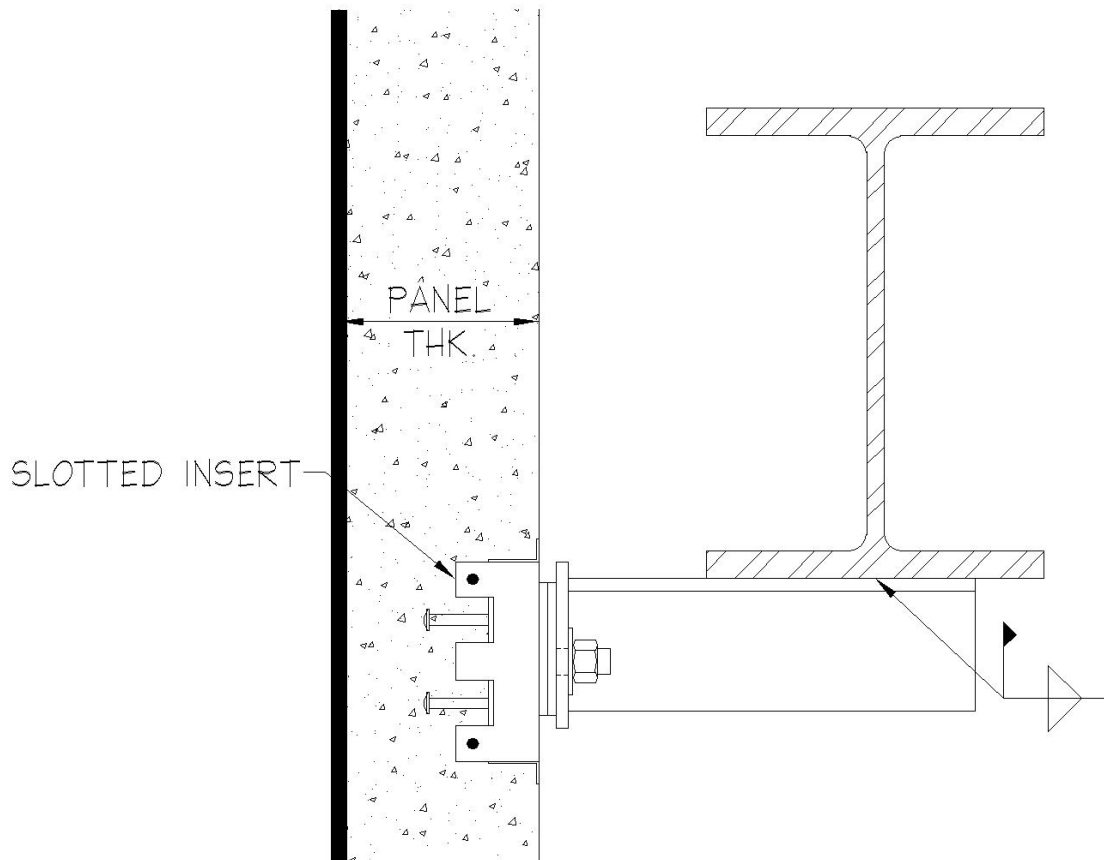
- Used between bearing points.



*Each illustrative connection is shown for concept only.
All connections must be engineered for project specific lateral and loading requirements.
All connections must be approved by a licenced engineerer.*

E. Tie Back to Underside of Beam

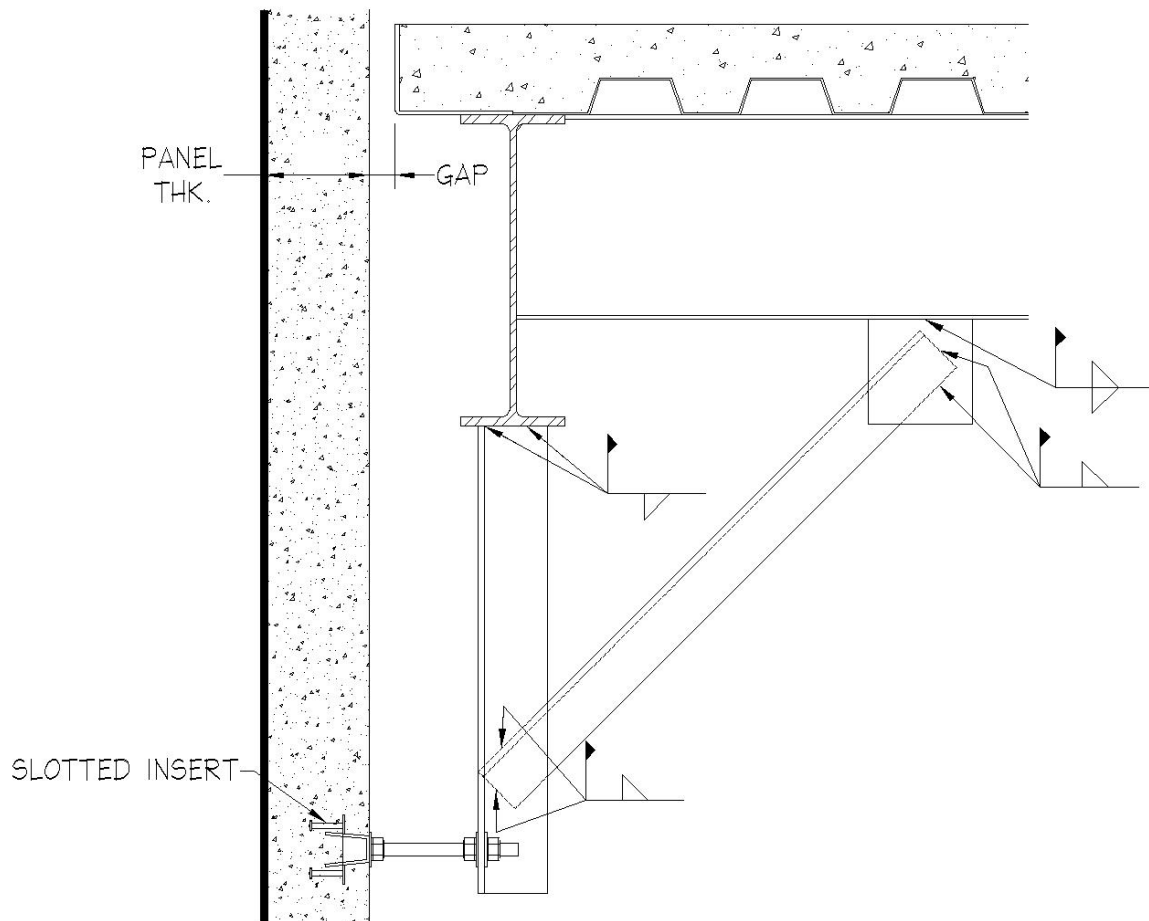
- Bracing of beam may be required to prevent twisting due to lateral loads.



*Each illustrative connection is shown for concept only.
All connections must be engineered for project specific lateral and loading requirements.
All connections must be approved by a licenced engineerer.*

F. Lateral Connection Below Beam

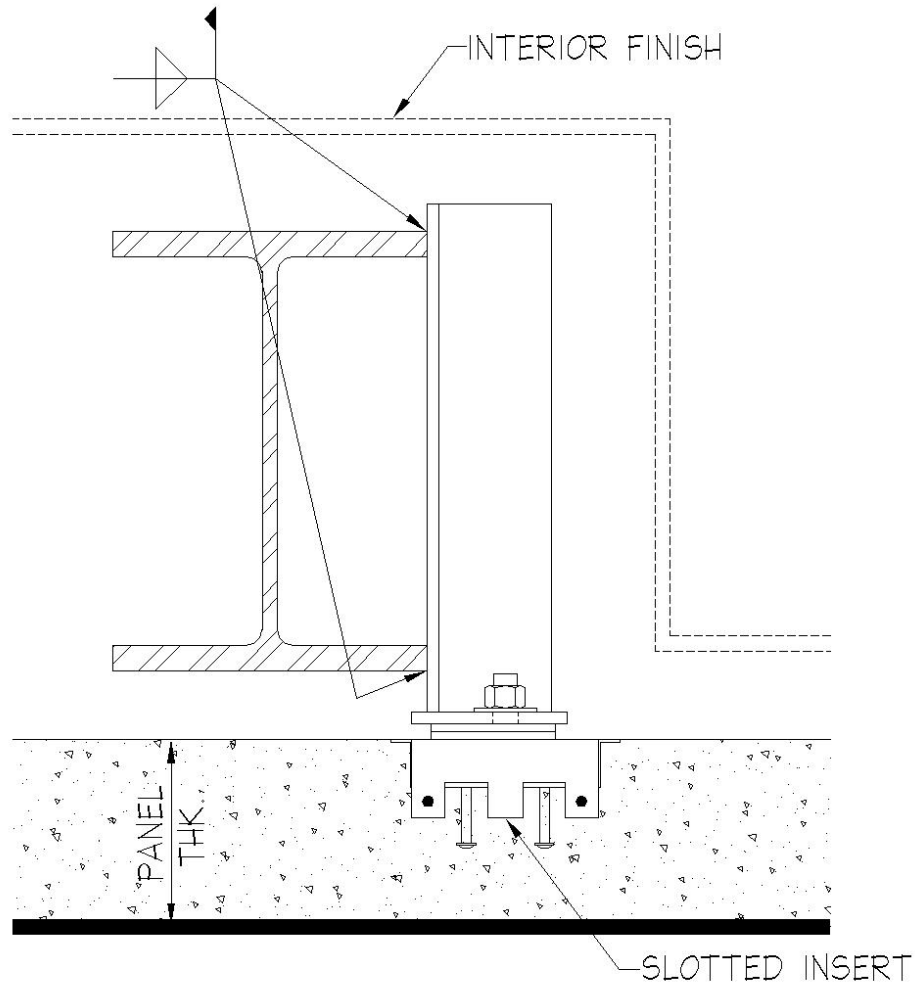
- Connection falls below structure.
- May be used when more panel hangs below top of slab and lateral bracing is required.
- Field installed.



*Each illustrative connection is shown for concept only.
All connections must be engineered for project specific lateral and loading requirements.
All connections must be approved by a licenced engineerer.*

G. Tie back Connection to Column

- Angle shown. Plates or channels may be used when interior finish to column is reduced.

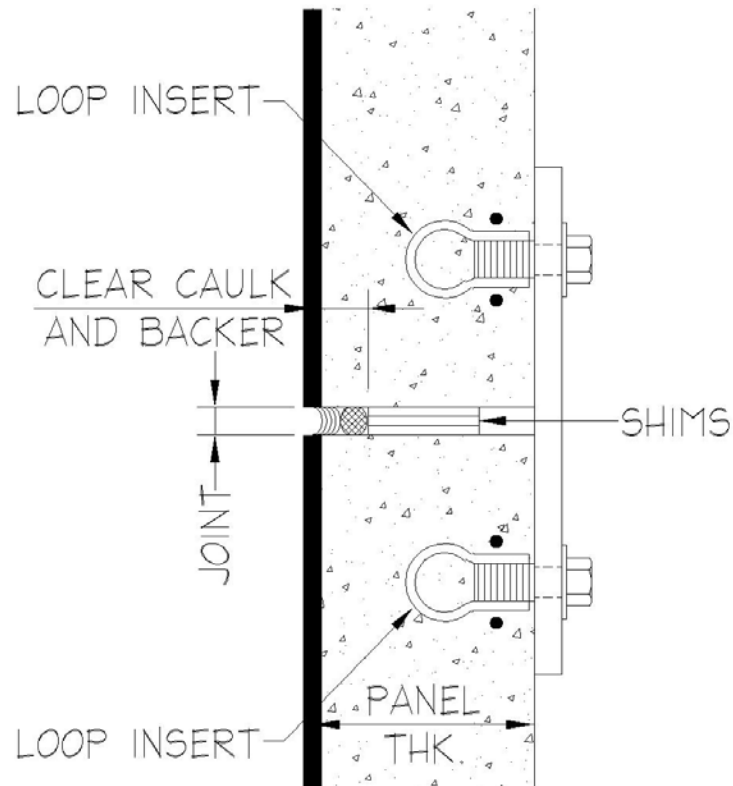


*Each illustrative connection is shown for concept only.
All connections must be engineered for project specific lateral and loading requirements.
All connections must be approved by a licenced engineerer.*

1.3 MISCELLANEOUS CONNECTIONS

A. Panel to Panel Stacked Load Bearing

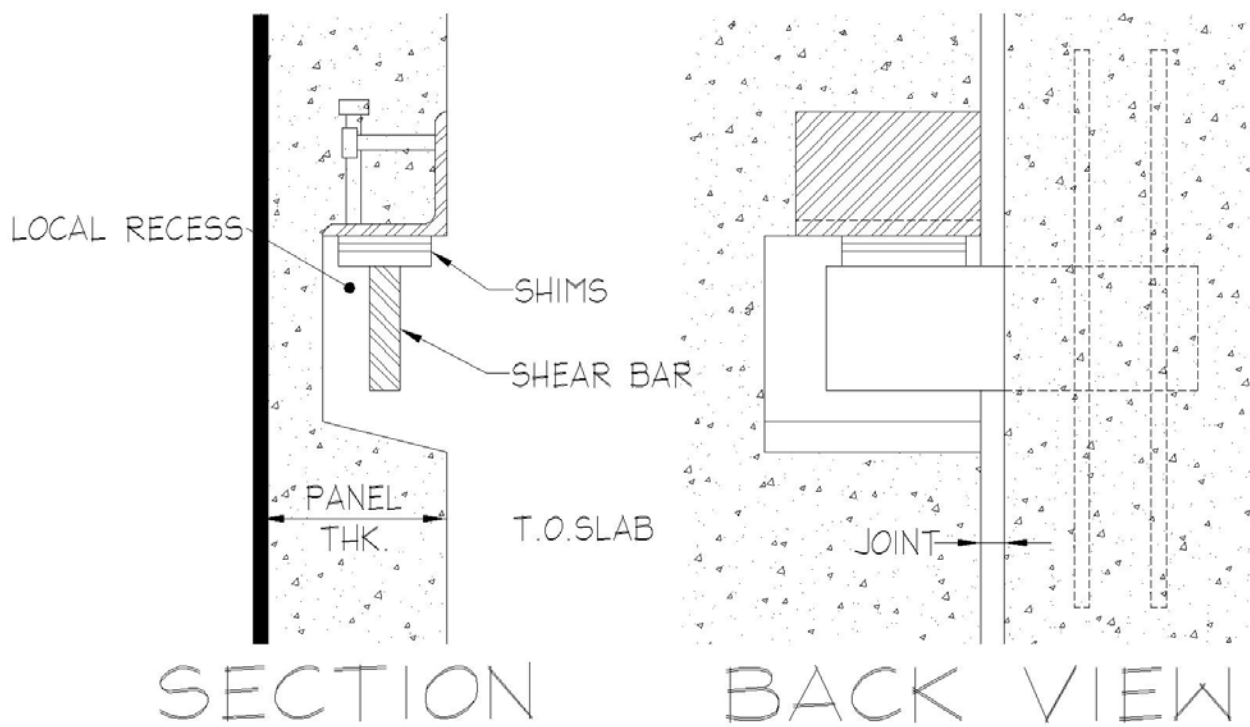
- Vertical load is transferred to panel below via shims.



*Each illustrative connection is shown for concept only.
All connections must be engineered for project specific lateral and loading requirements.
All connections must be approved by a licenced engineerer.*

B. Panel to Panel Load Bearing

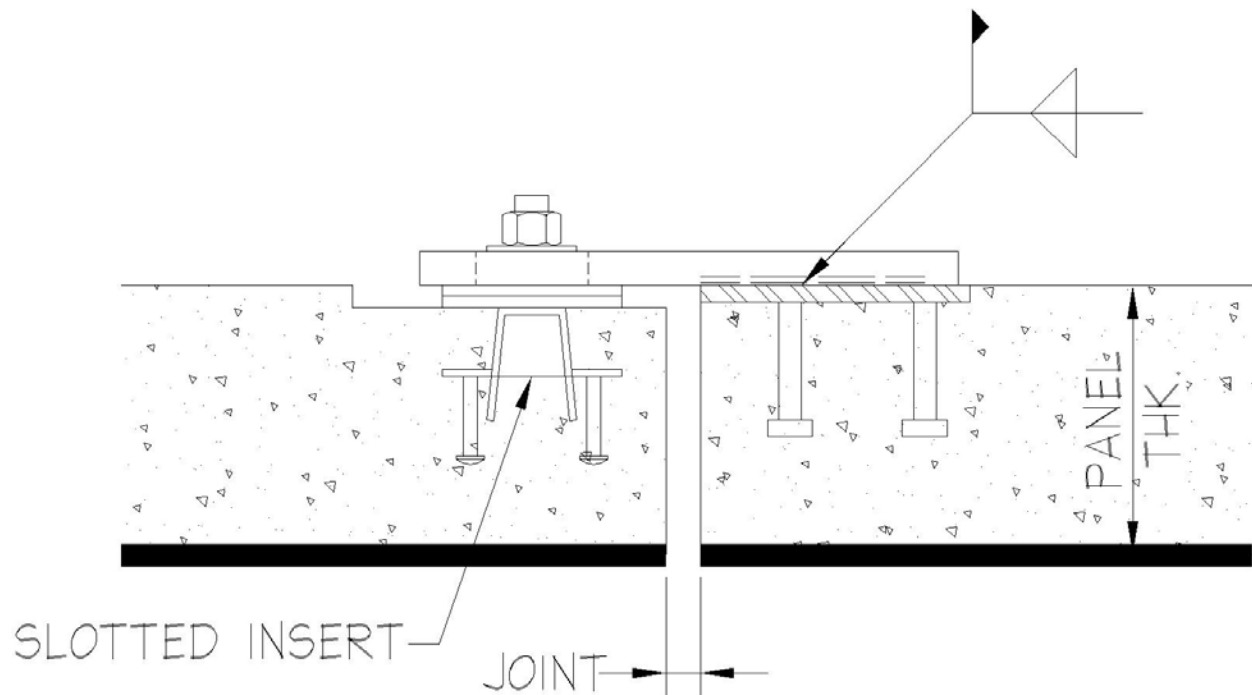
- Column on each side of opening carry load of spandrel.
- Ideal when bearing to structure beyond structural column location is required.
- Precast spandrel transfers vertical load to column.



*Each illustrative connection is shown for concept only.
All connections must be engineered for project specific lateral and loading requirements.
All connections must be approved by a licenced engineerer.*

C. Panel to Panel – Non Load Bearing

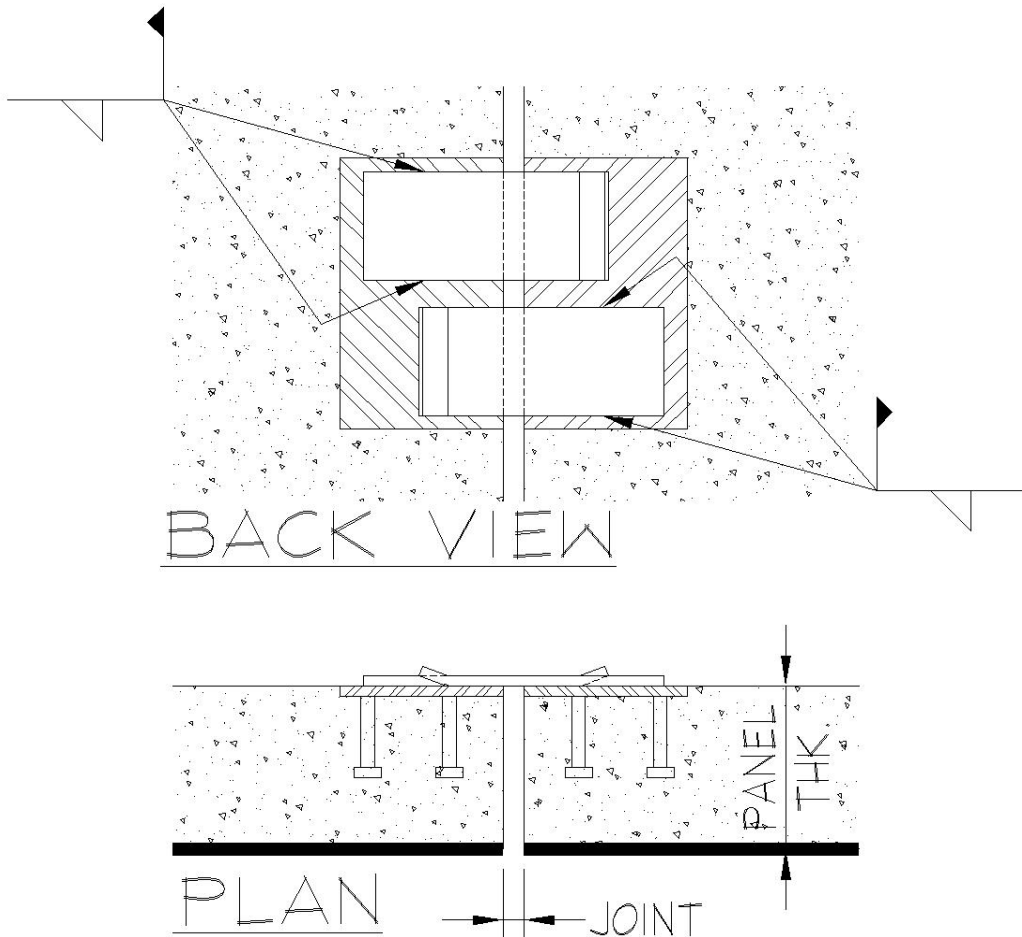
- Access from backside.
- Slotted plates may also be used.



*Each illustrative connection is shown for concept only.
All connections must be engineered for project specific lateral and loading requirements.
All connections must be approved by a licenced engineerer.*

D. Panel to Panel – Non Load Bearing

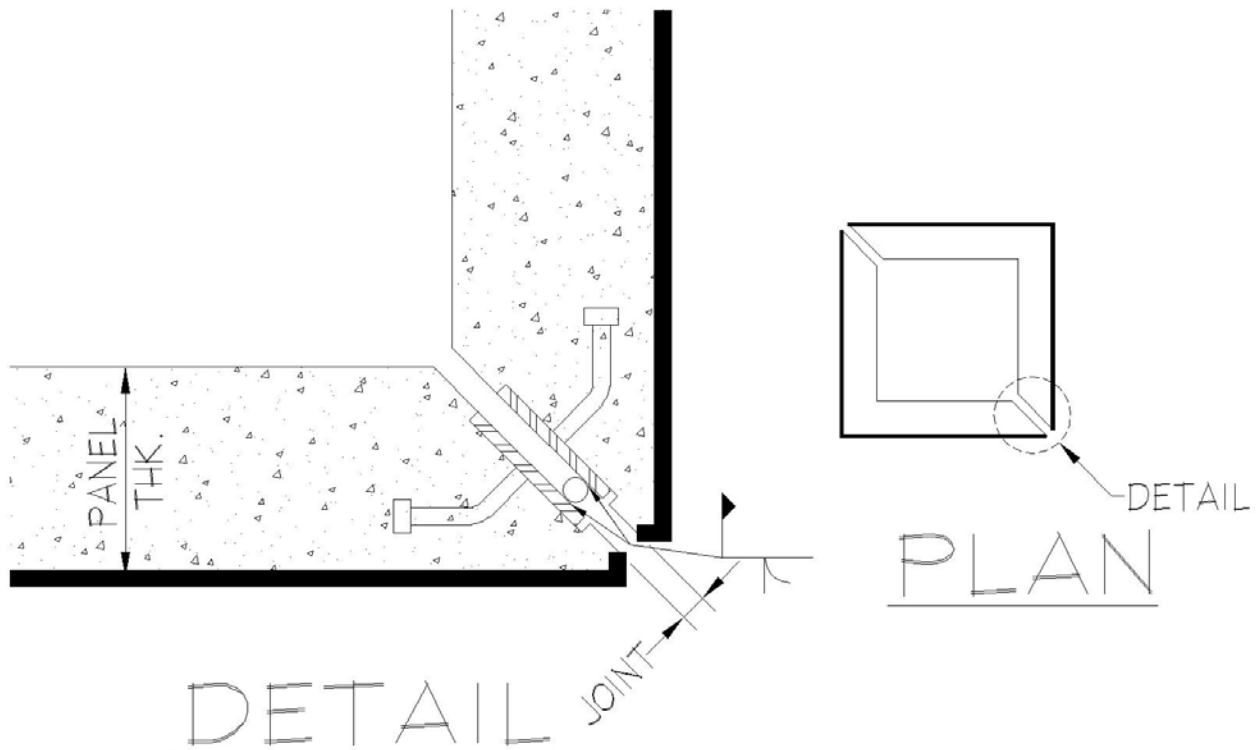
- Slip connection for panel-to-panel alignment only.
- Ideal for above roofline when exposed to view.



*Each illustrative connection is shown for concept only.
All connections must be engineered for project specific lateral and loading requirements.
All connections must be approved by a licenced engineerer.*

E. Type 1 - Column Enclosures Connection

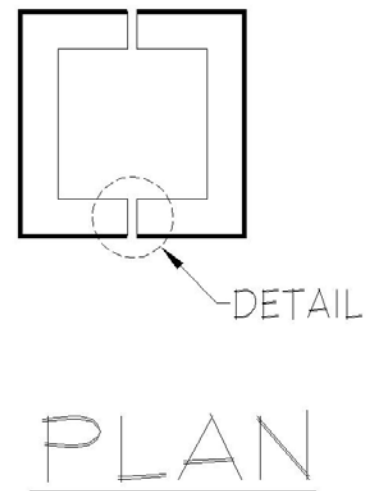
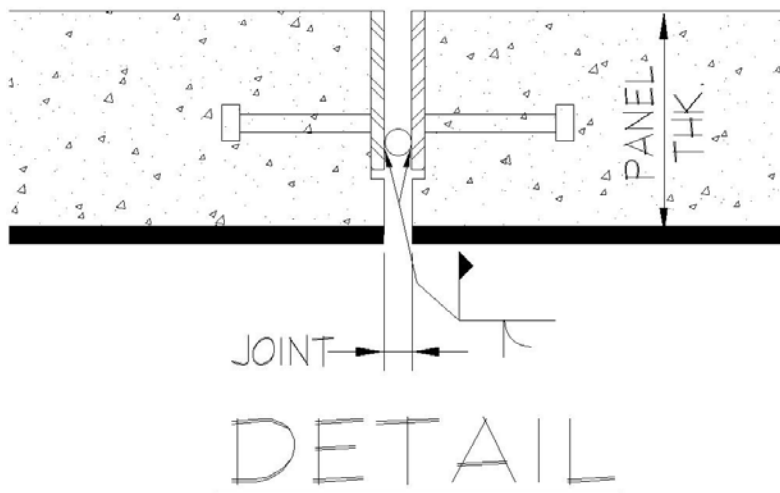
- Access from front face.
- Steel rod is used to bridge plates for welding.



*Each illustrative connection is shown for concept only.
All connections must be engineered for project specific lateral and loading requirements.
All connections must be approved by a licenced engineerer.*

F. Type 2 - Column Enclosures Connection

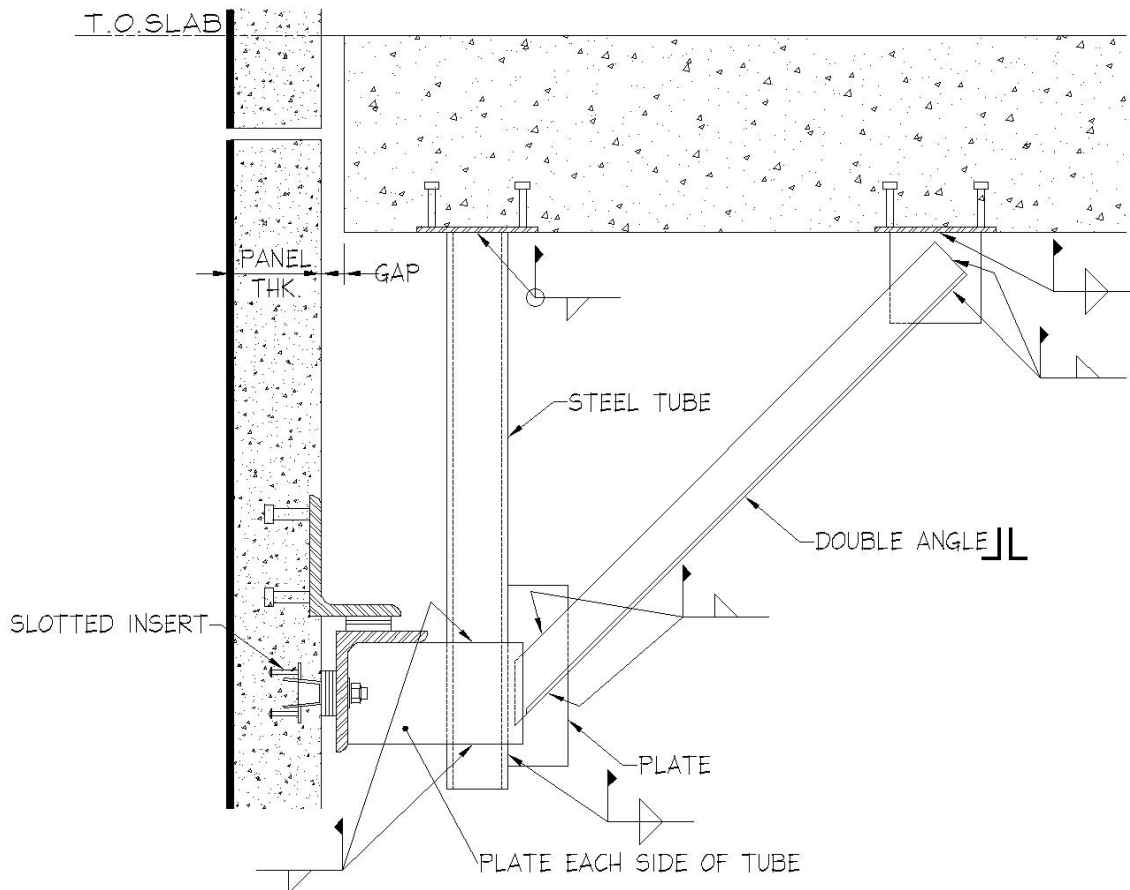
- Access from front face.
- Steel rod is used to bridge plates for welding.



*Each illustrative connection is shown for concept only.
All connections must be engineered for project specific lateral and loading requirements.
All connections must be approved by a licenced engineerer.*

G. Load Bearing Below Structure

- Used primarily with excessive floor-to-floor heights.
- Concrete structure shown. Steel structure similar.



*Each illustrative connection is shown for concept only.
All connections must be engineered for project specific lateral and loading requirements.
All connections must be approved by a licenced engineerer.*

PART 2

Glass Fiber Reinforced Concrete

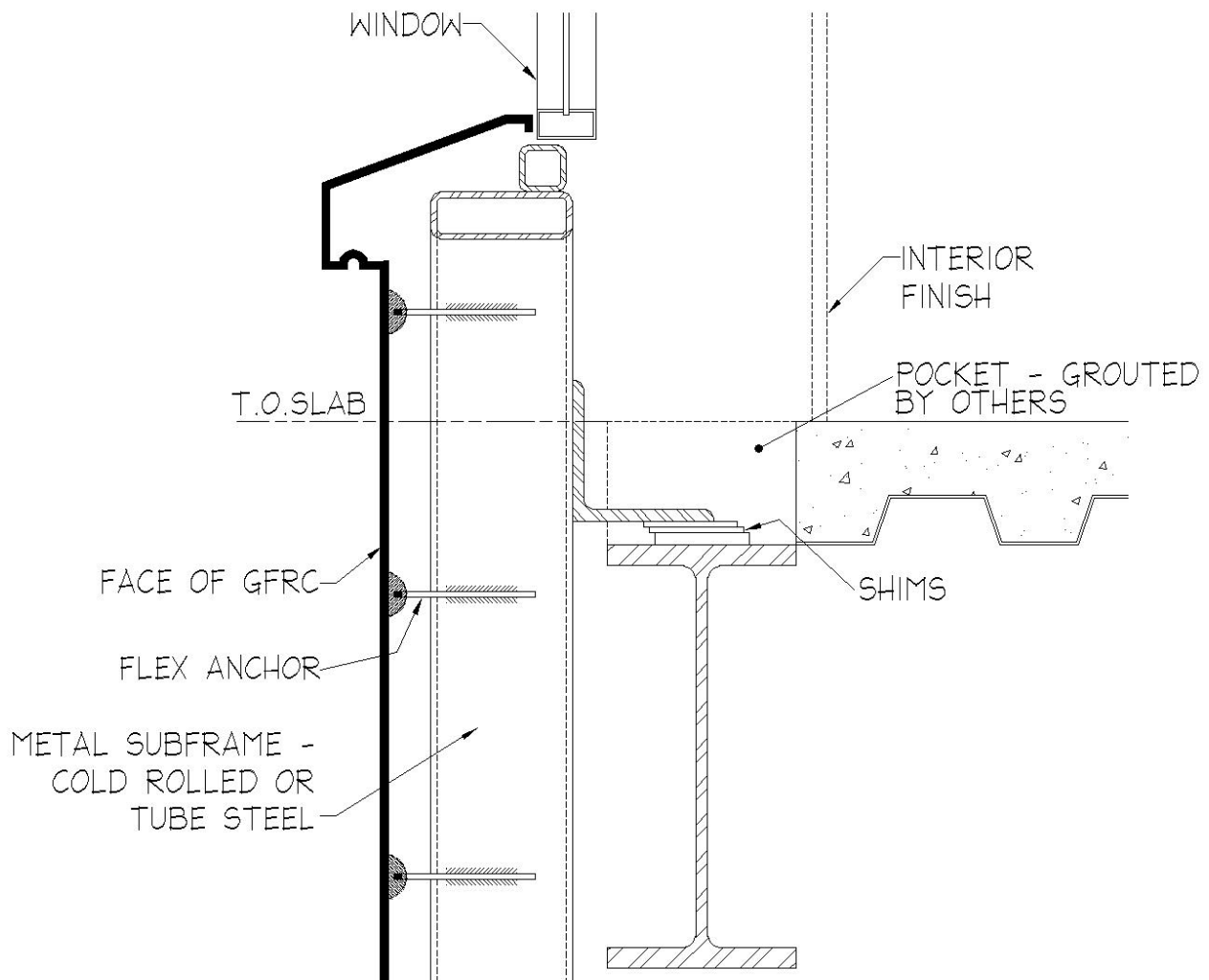


PART 2 - GLASS FIBER REINFORCED CONCRETE (GFRC)

2.1 CONNECTIONS

A. Load to Top of Perimeter Beam

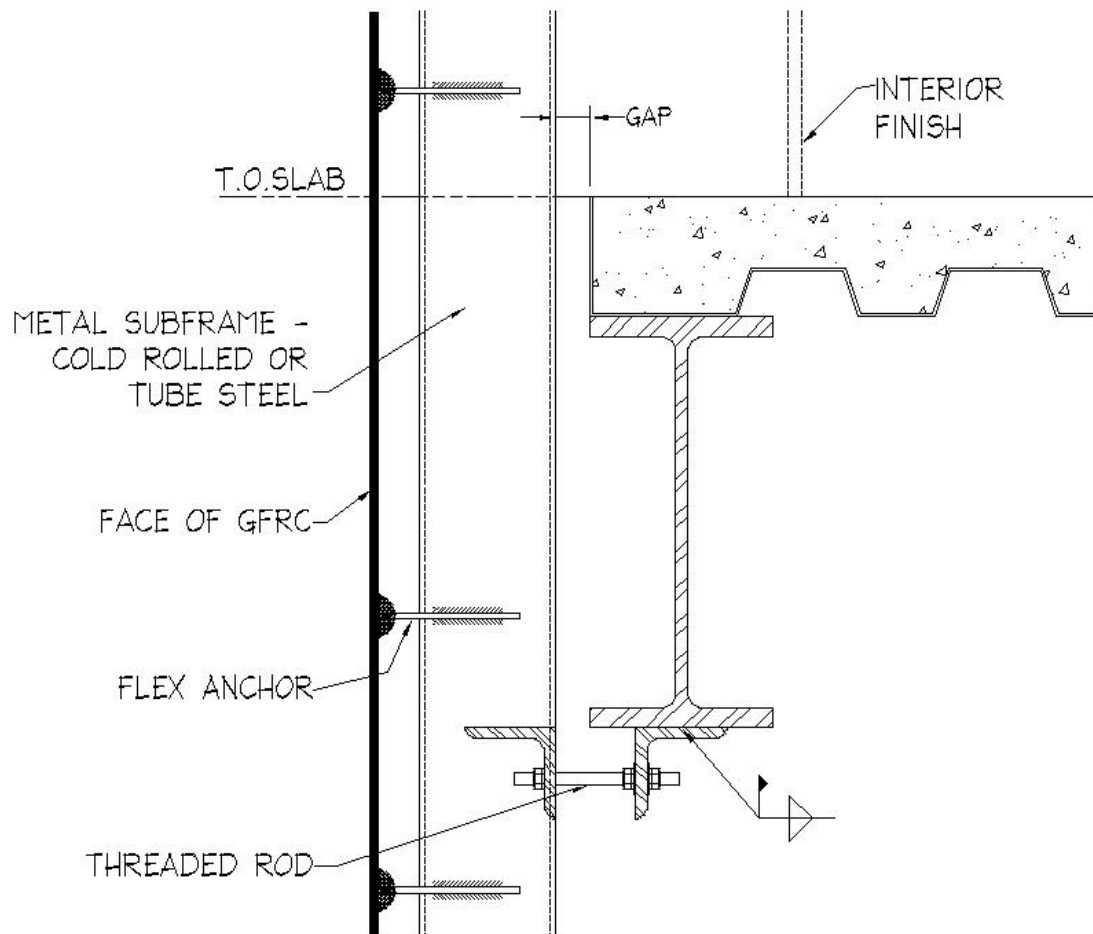
- Large window unit panelization.
- Bearing angle is pre-attached to subframe.
- Steel frame picks up window dead loads.



*Each illustrative connection is shown for concept only.
All connections must be engineered for project specific lateral and loading requirements.
All connections must be approved by a licenced engineerer.*

B. Tie Back to Underside of Steel Beam

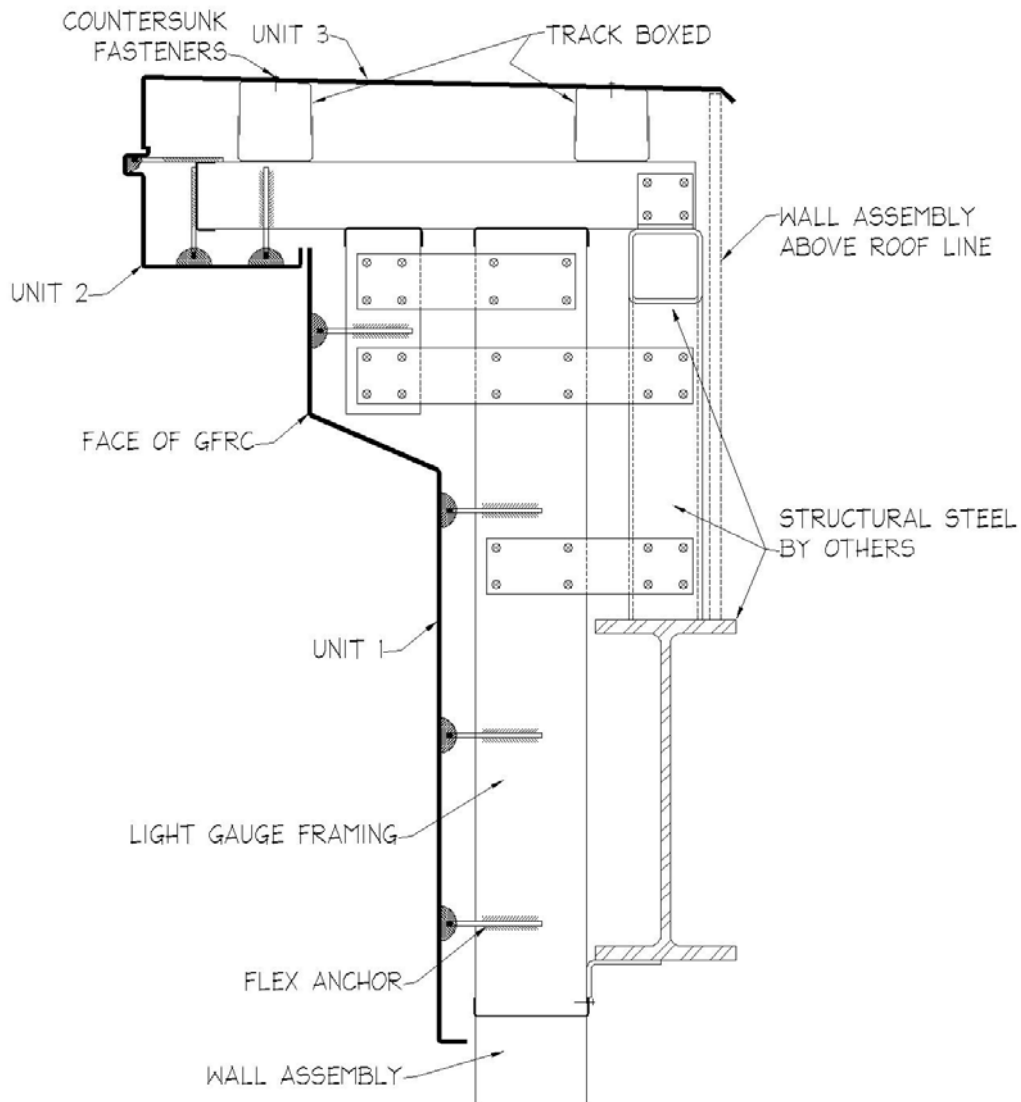
- Large panel configuration.
- Clips to metal subframe are pre-attached.



*Each illustrative connection is shown for concept only.
All connections must be engineered for project specific lateral and loading requirements.
All connections must be approved by a licenced engineerer.*

C. Roof Cornice

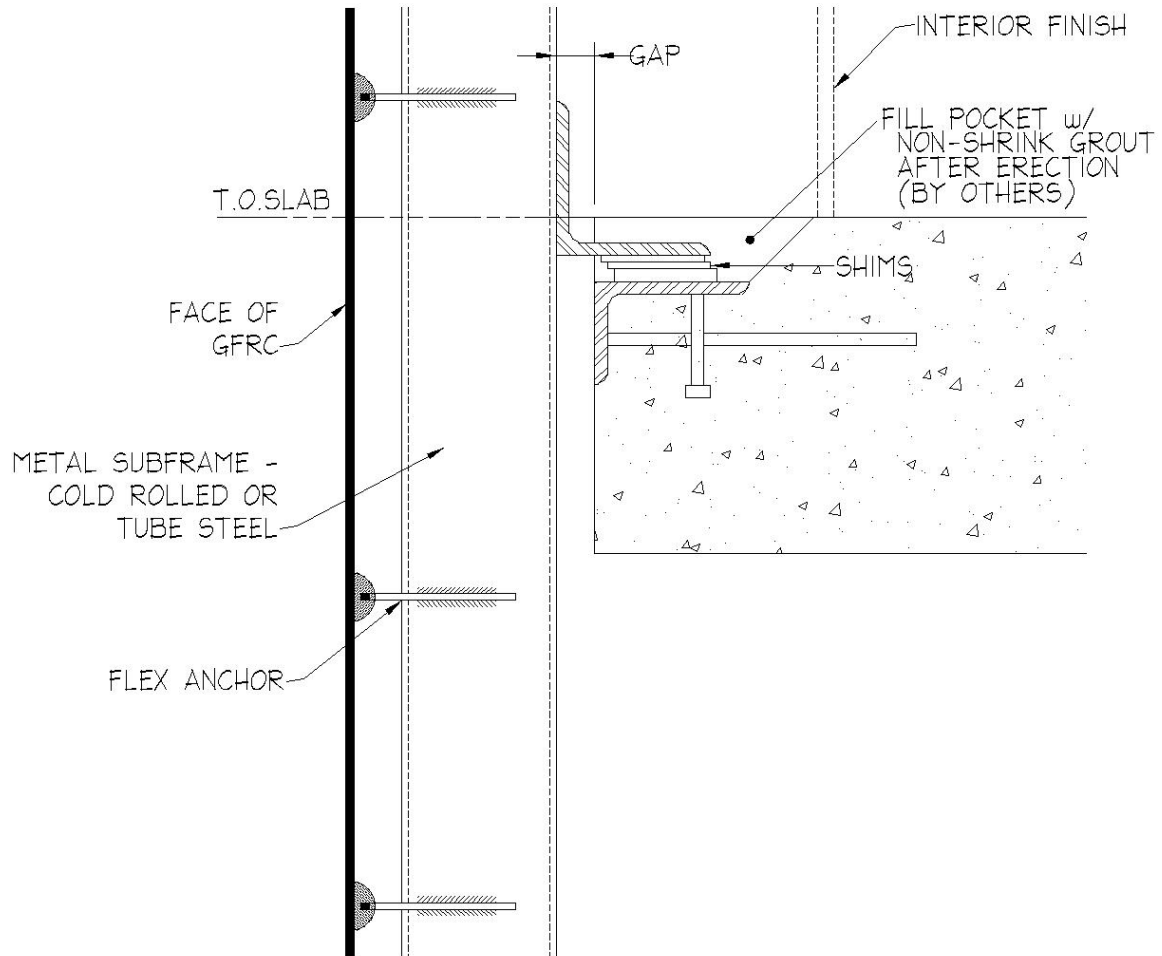
- Several units form cornice.
- Light gauge framing.
- The erector caulks field-installed fasteners.



*Each illustrative connection is shown for concept only.
All connections must be engineered for project specific lateral and loading requirements.
All connections must be approved by a licenced engineerer.*

D. Load Bearing to Concrete Floor Slab

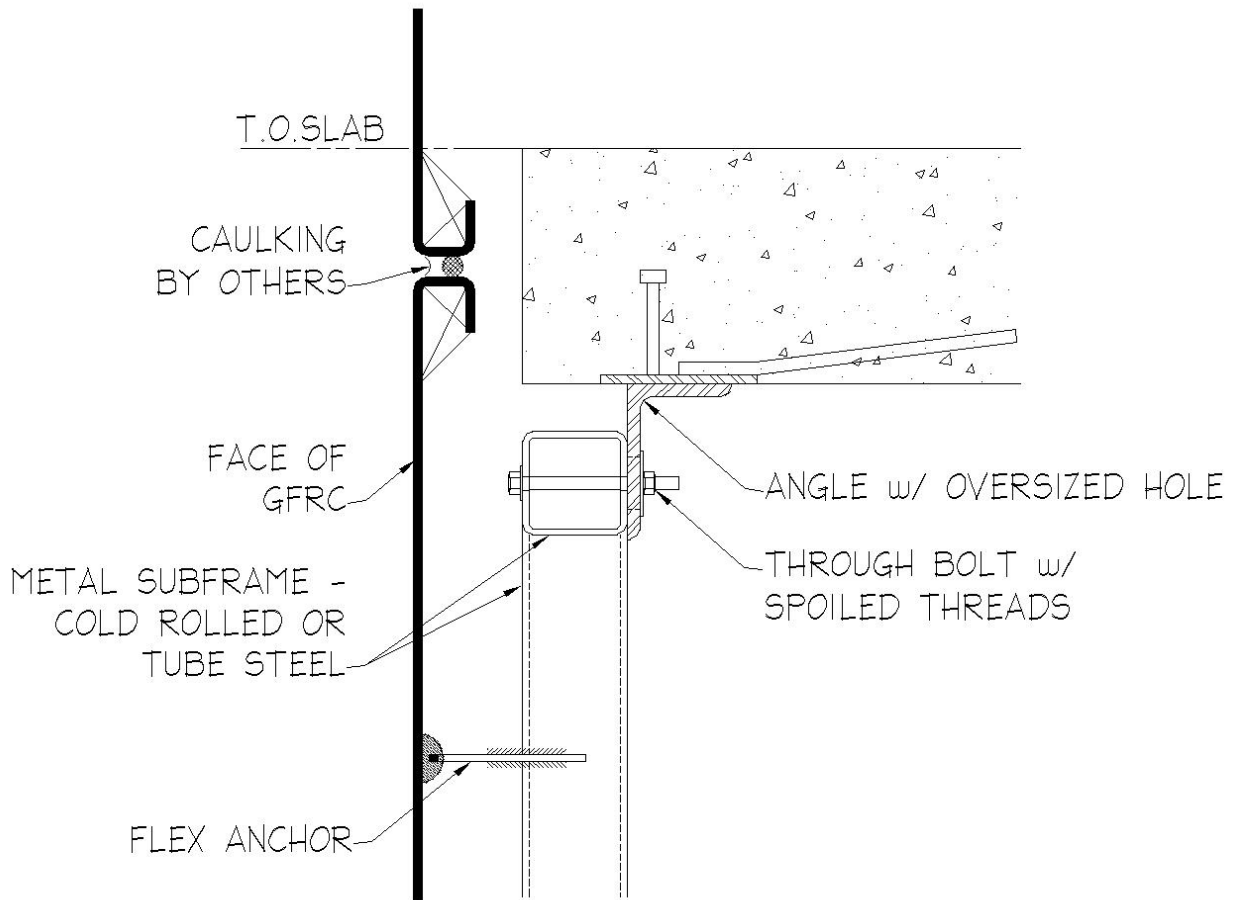
- Bearing angle in recessed pocket.
- Angle shop applied to subframe.



*Each illustrative connection is shown for concept only.
All connections must be engineered for project specific lateral and loading requirements.
All connections must be approved by a licenced engineerer.*

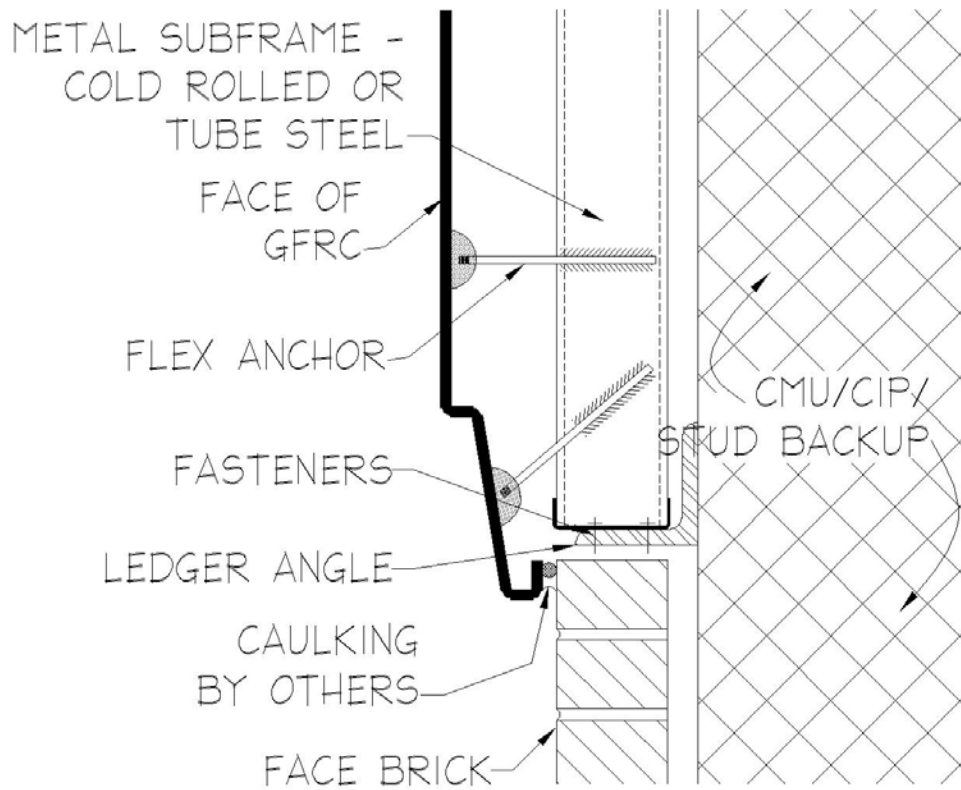
E. Lateral Tieback to Underside of Concrete Slab

- Angel allows for deflection of slab.



*Each illustrative connection is shown for concept only.
All connections must be engineered for project specific lateral and loading requirements.
All connections must be approved by a licenced engineerer.*

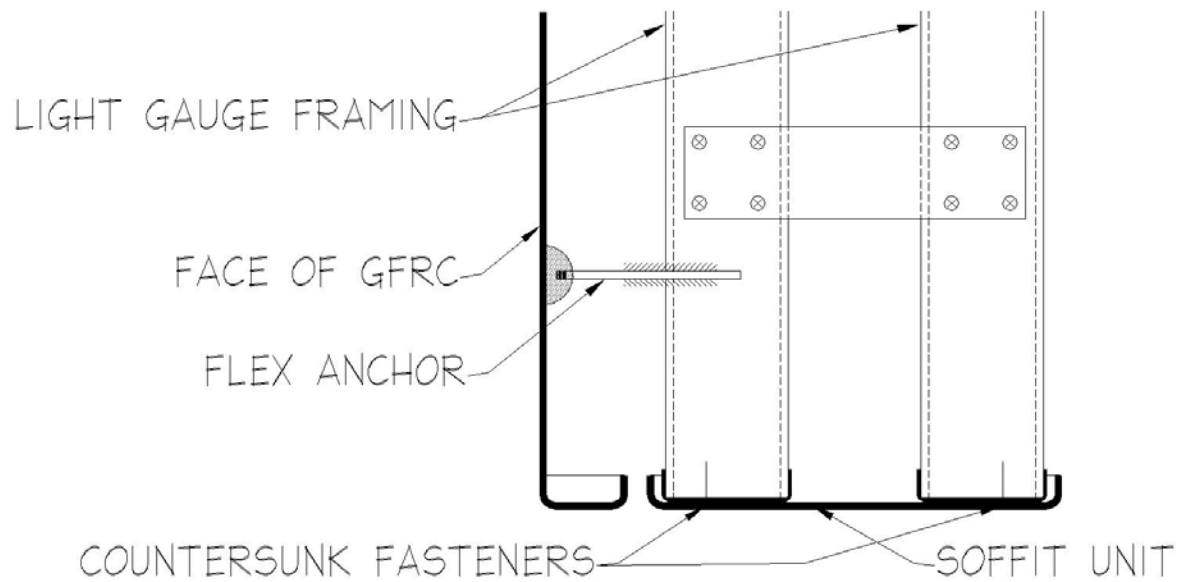
F. Accent Banding



Each illustrative connection is shown for concept only.
All connections must be engineered for project specific lateral and loading requirements.
All connections must be approved by a licenced engineerer.

G. Soffit

- Erector counter sinks and caulks exposed fasteners.



*Each illustrative connection is shown for concept only.
All connections must be engineered for project specific lateral and loading requirements.
All connections must be approved by a licenced engineerer.*

PART 3

Cast
Stone

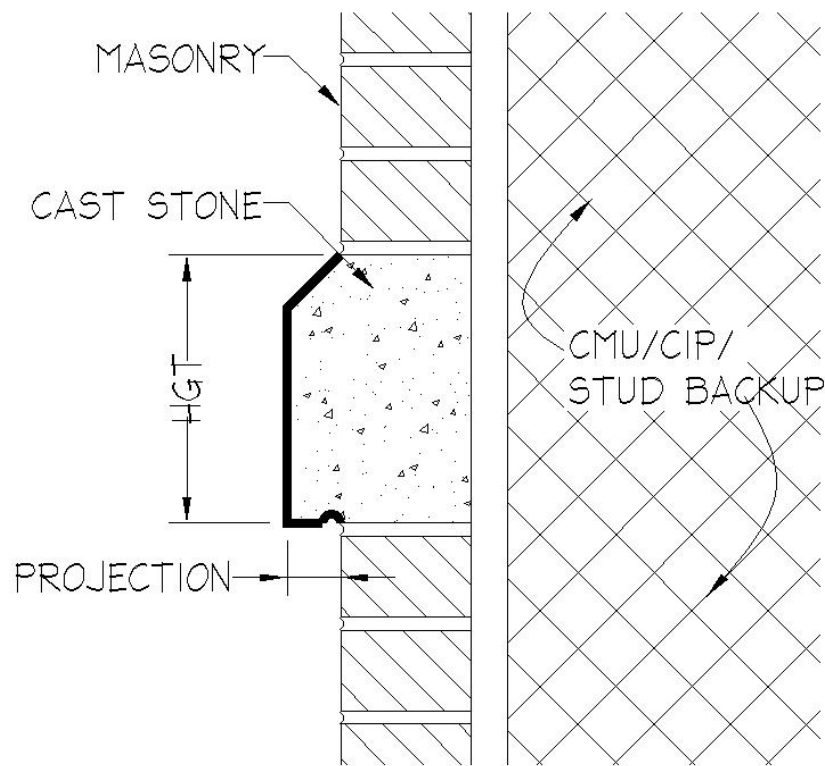


PART 3 - CAST STONE

3.1 CONNECTIONS

A. Accent Banding Without Mechanical Fasteners

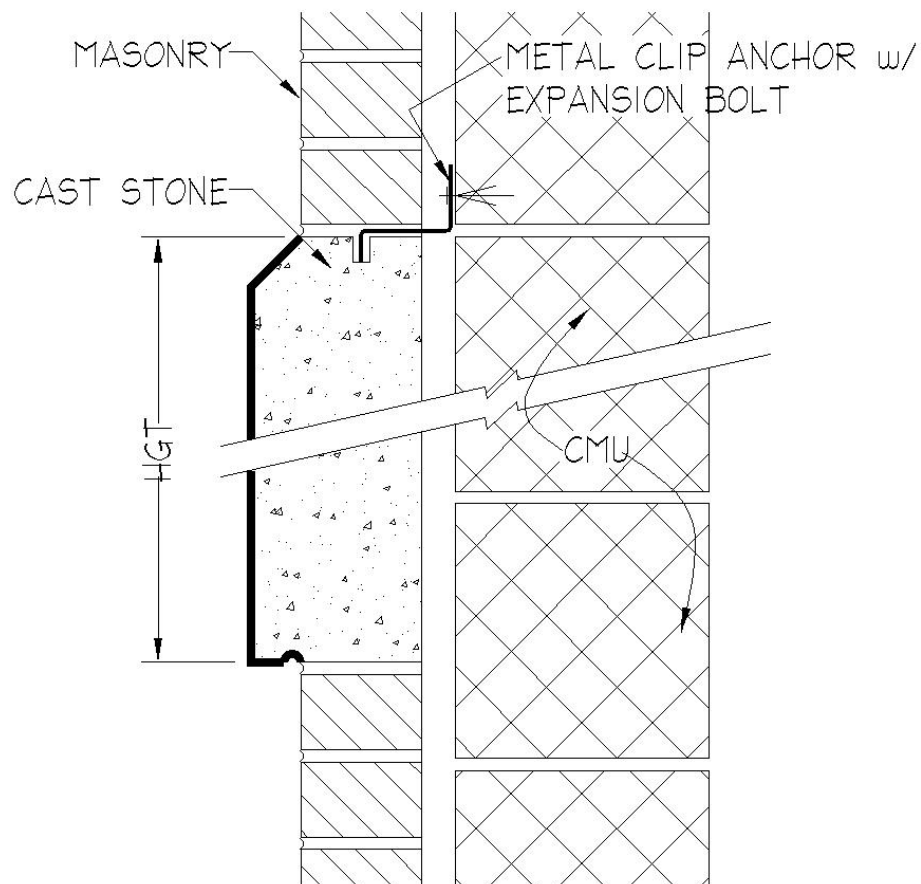
- Laid in place with mortar.



*Each illustrative connection is shown for concept only.
All connections must be engineered for project specific lateral and loading requirements.
All connections must be approved by a licenced engineerer.*

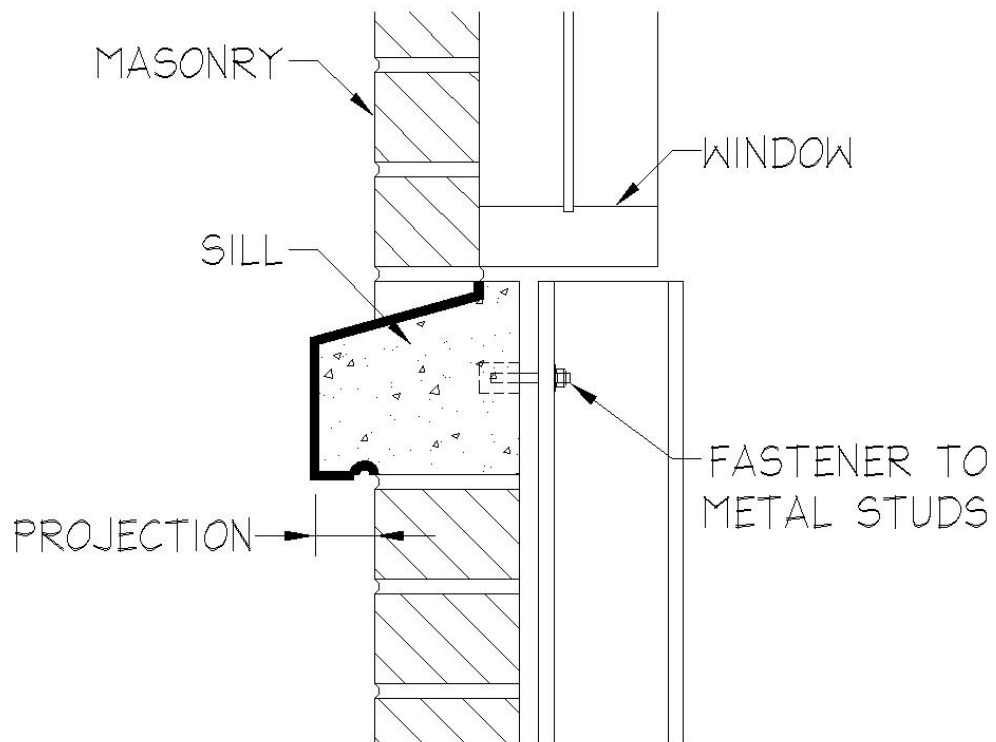
B. Accent Banding With Mechanical Fasteners

- Larger units mortared in place and tied back to structure.



*Each illustrative connection is shown for concept only.
All connections must be engineered for project specific lateral and loading requirements.
All connections must be approved by a licenced engineerer.*

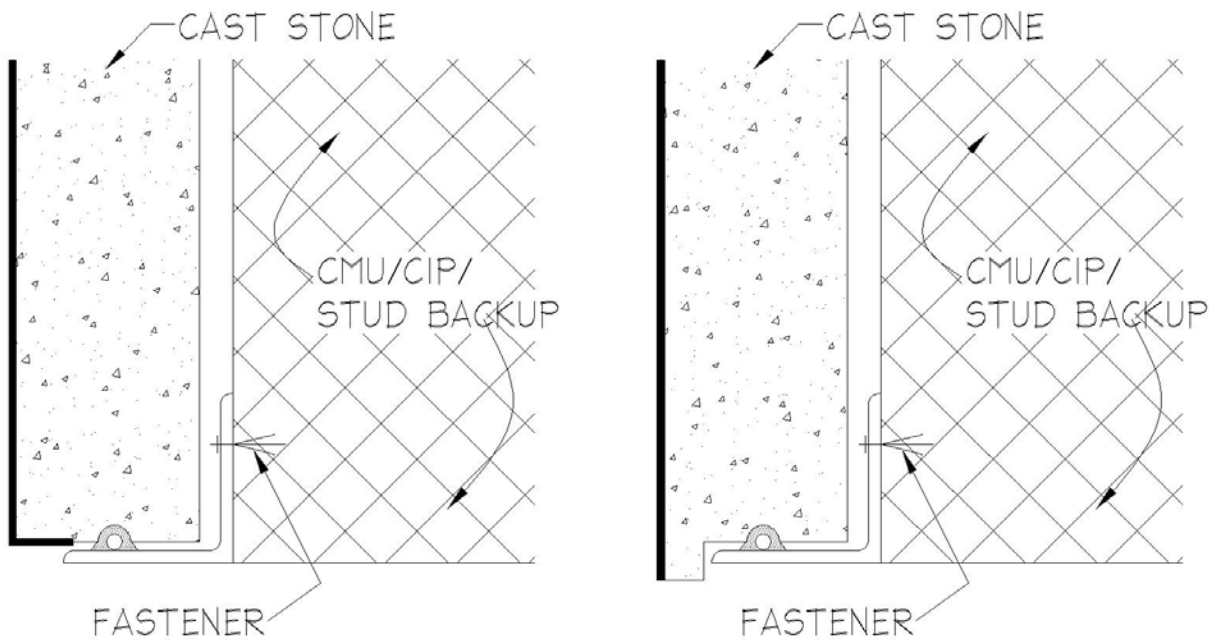
C. Window Sill



*Each illustrative connection is shown for concept only.
All connections must be engineered for project specific lateral and loading requirements.
All connections must be approved by a licenced engineerer.*

D. Window Lintels

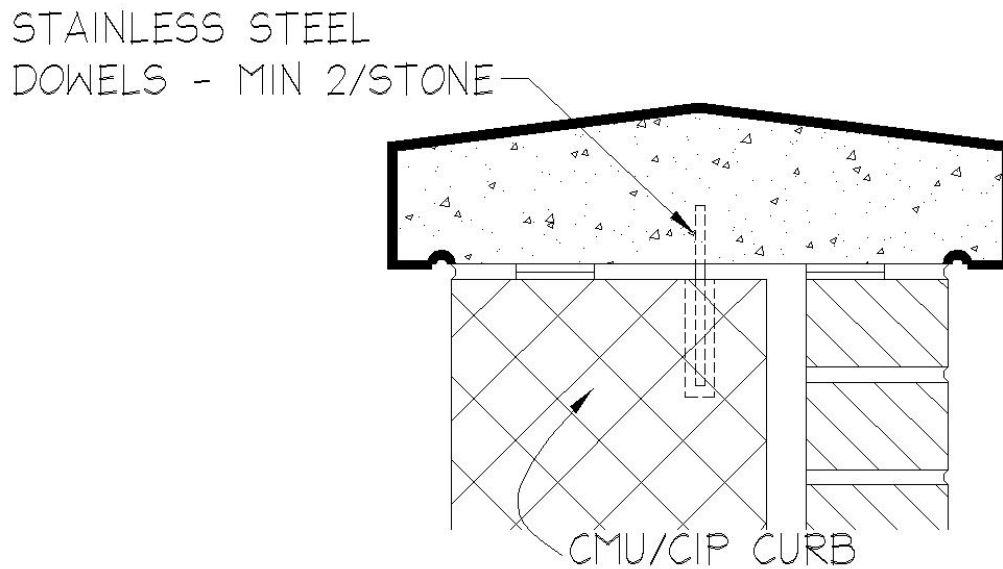
- Using relieving angels.



*Each illustrative connection is shown for concept only.
All connections must be engineered for project specific lateral and loading requirements.
All connections must be approved by a licenced engineerer.*

E. Doweled Coping

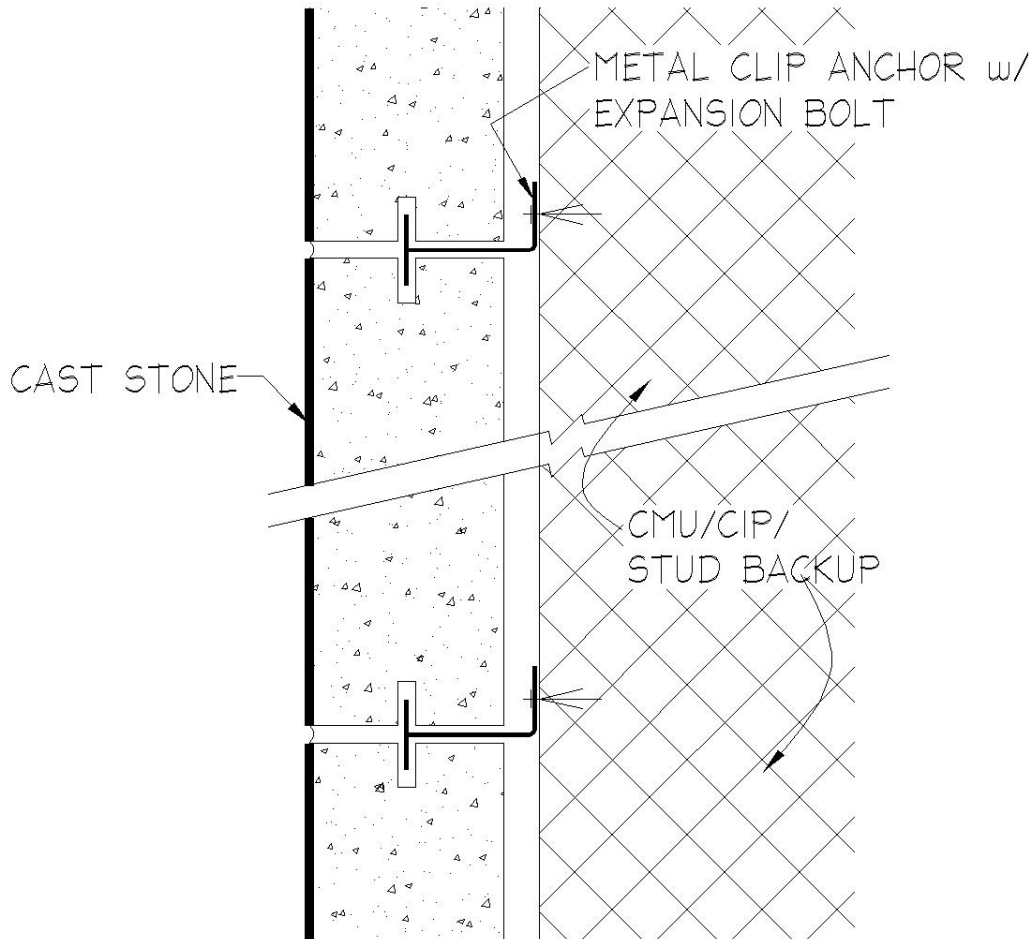
- Similar detail using masonry exposed both sides.



*Each illustrative connection is shown for concept only.
All connections must be engineered for project specific lateral and loading requirements.
All connections must be approved by a licenced engineerer.*

F. Multiple Units with Mechanical Fasteners

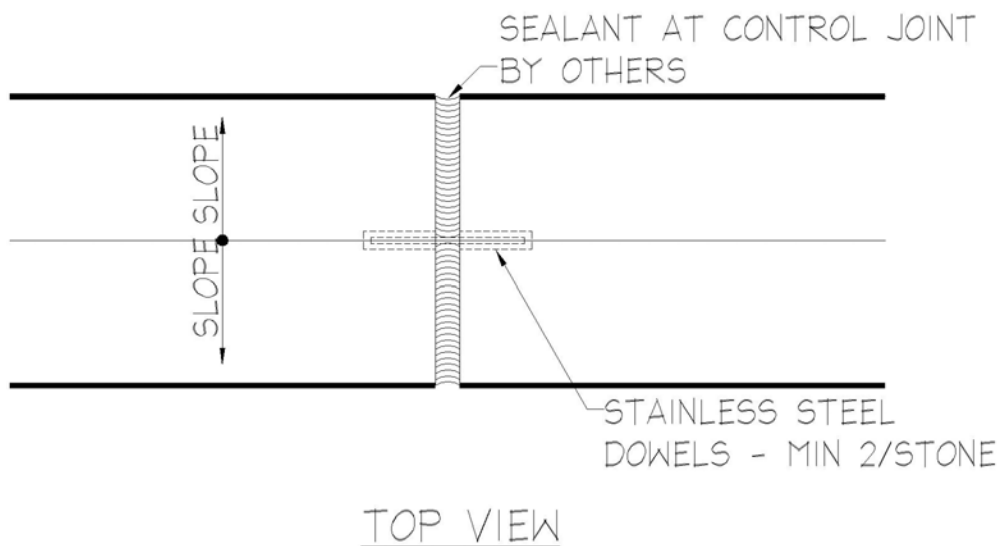
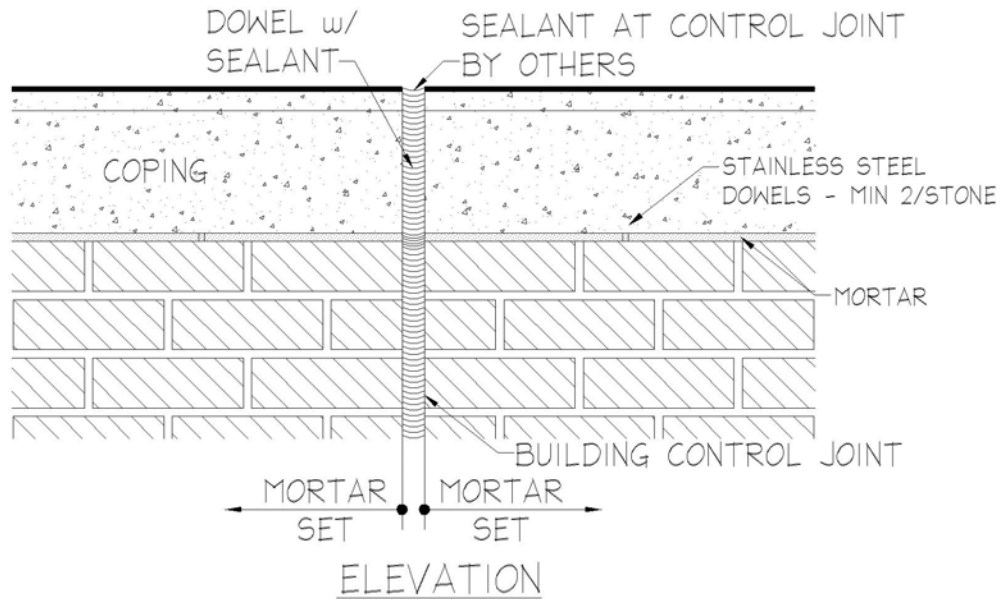
- Units are stacked and set with mortar.



*Each illustrative connection is shown for concept only.
All connections must be engineered for project specific lateral and loading requirements.
All connections must be approved by a licenced engineerer.*

G. Parapet - Control Joints

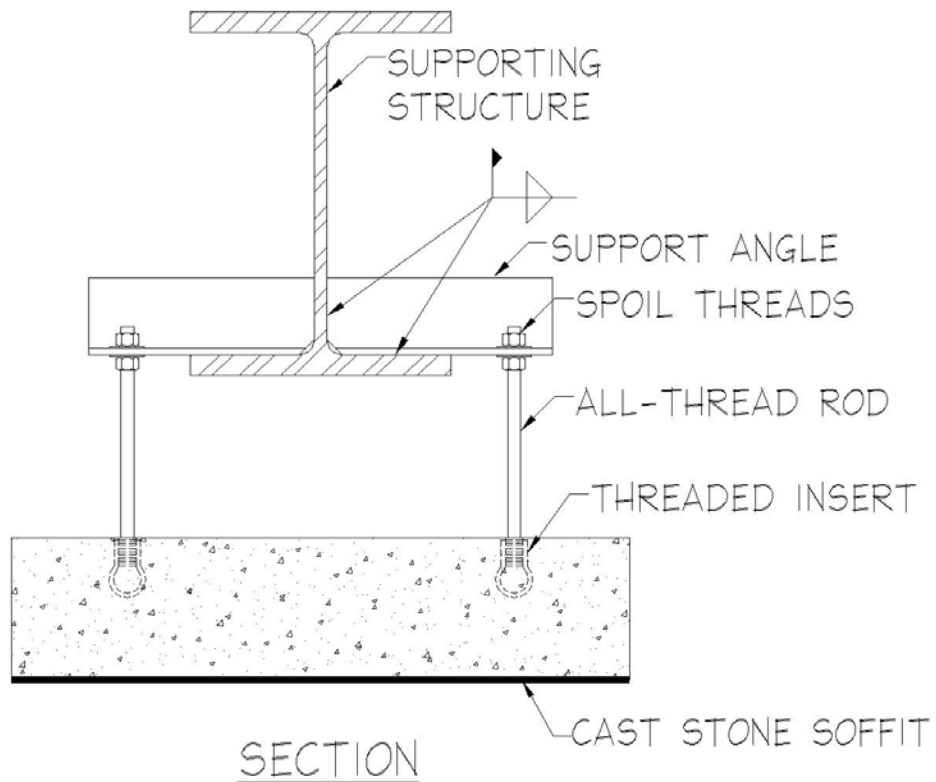
- Control joints are caulked by others with sealant.



Each illustrative connection is shown for concept only.
All connections must be engineered for project specific lateral and loading requirements.
All connections must be approved by a licenced engineerer.

H. Soffits

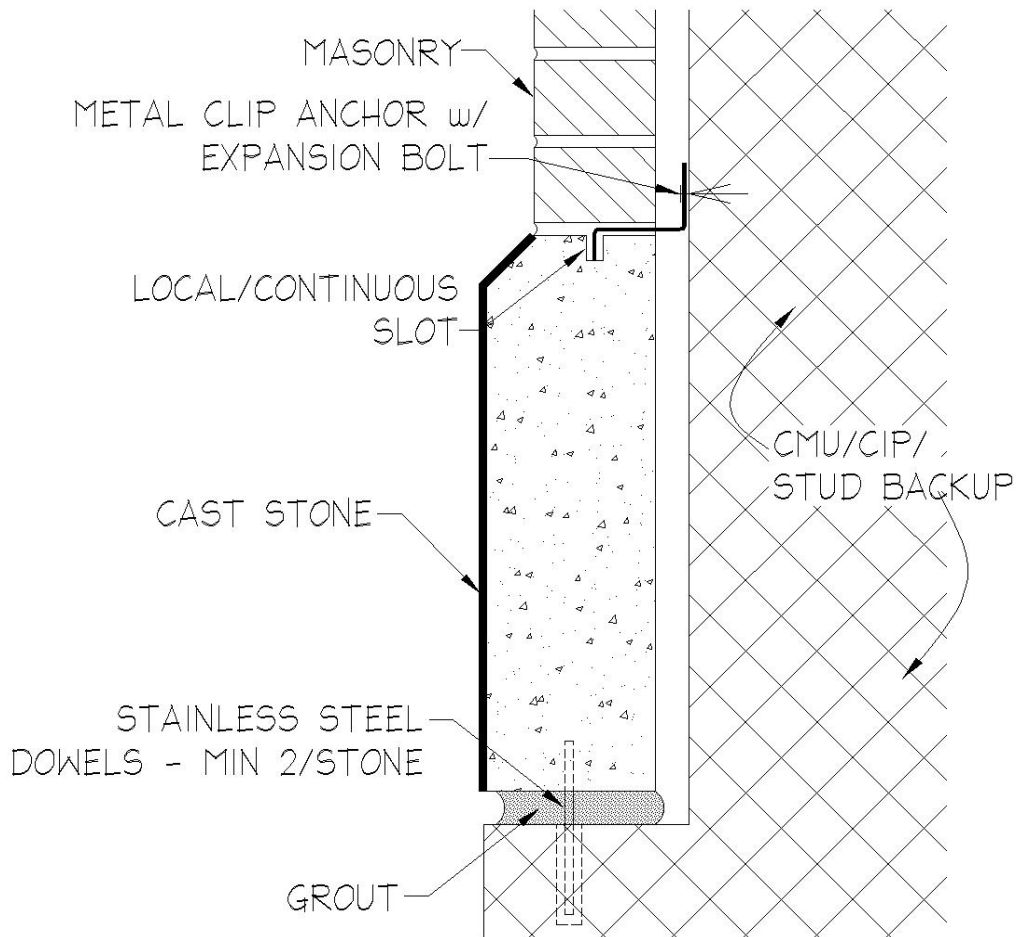
- Supported from steel structure.



*Each illustrative connection is shown for concept only.
All connections must be engineered for project specific lateral and loading requirements.
All connections must be approved by a licenced engineerer.*

I. Watertable

- Doweled, grouted and mechanically fastened.



*Each illustrative connection is shown for concept only.
All connections must be engineered for project specific lateral and loading requirements.
All connections must be approved by a licenced engineerer.*

Architectural Precast Association | 6710 Winkler Road, Suite 8 | Fort Myers, FL 33919
Phone: 239-454-6989 | Fax: 239-454-6787 | E-mail: info@archprecast.org