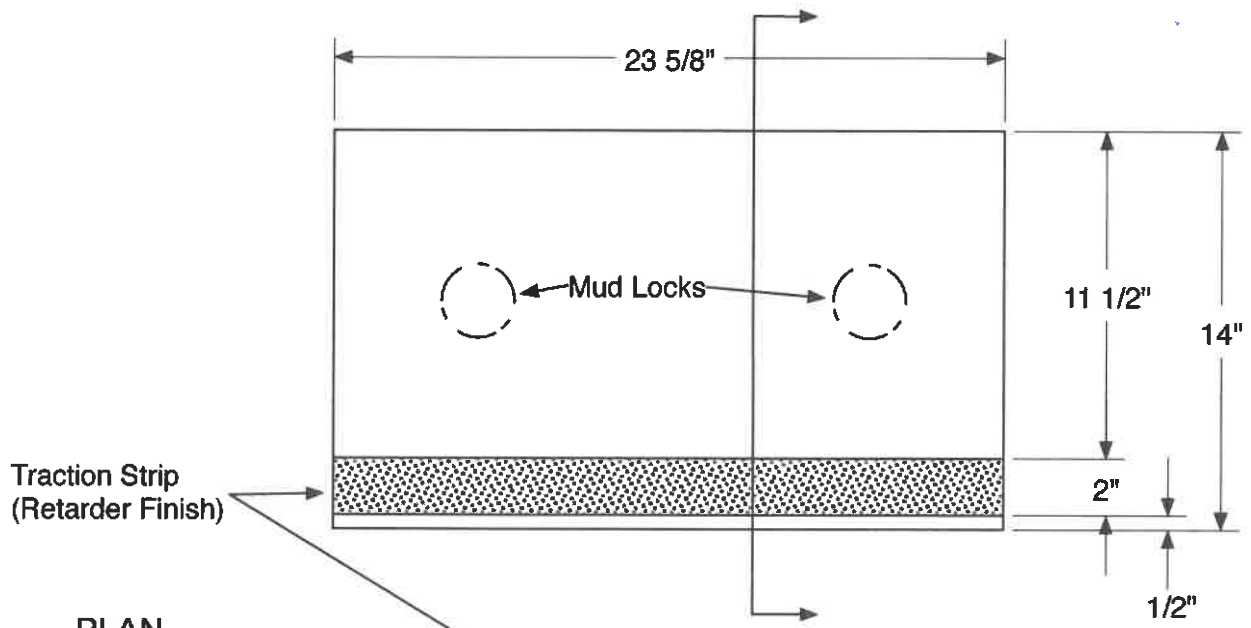
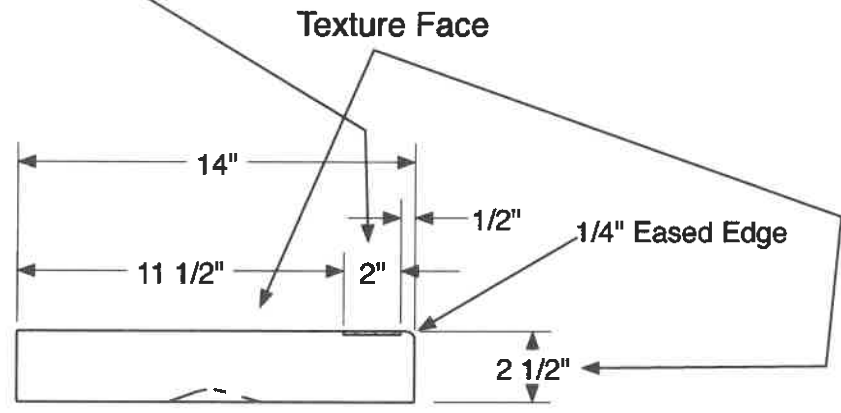


DESCRIPTION: Treads	QTY:	PIECE MARK:
---------------------	------	-------------

COLOR:	TEXTURE:
--------	----------



PLAN



SECTION

Pour Side



PROJECT NAME:	Treads & Risers	
---------------	-----------------	--

SCALE: 2" = 1'-0"	WEIGHT / PIECE: 70 LBS	SHEET #: 1
----------------------	---------------------------	---------------