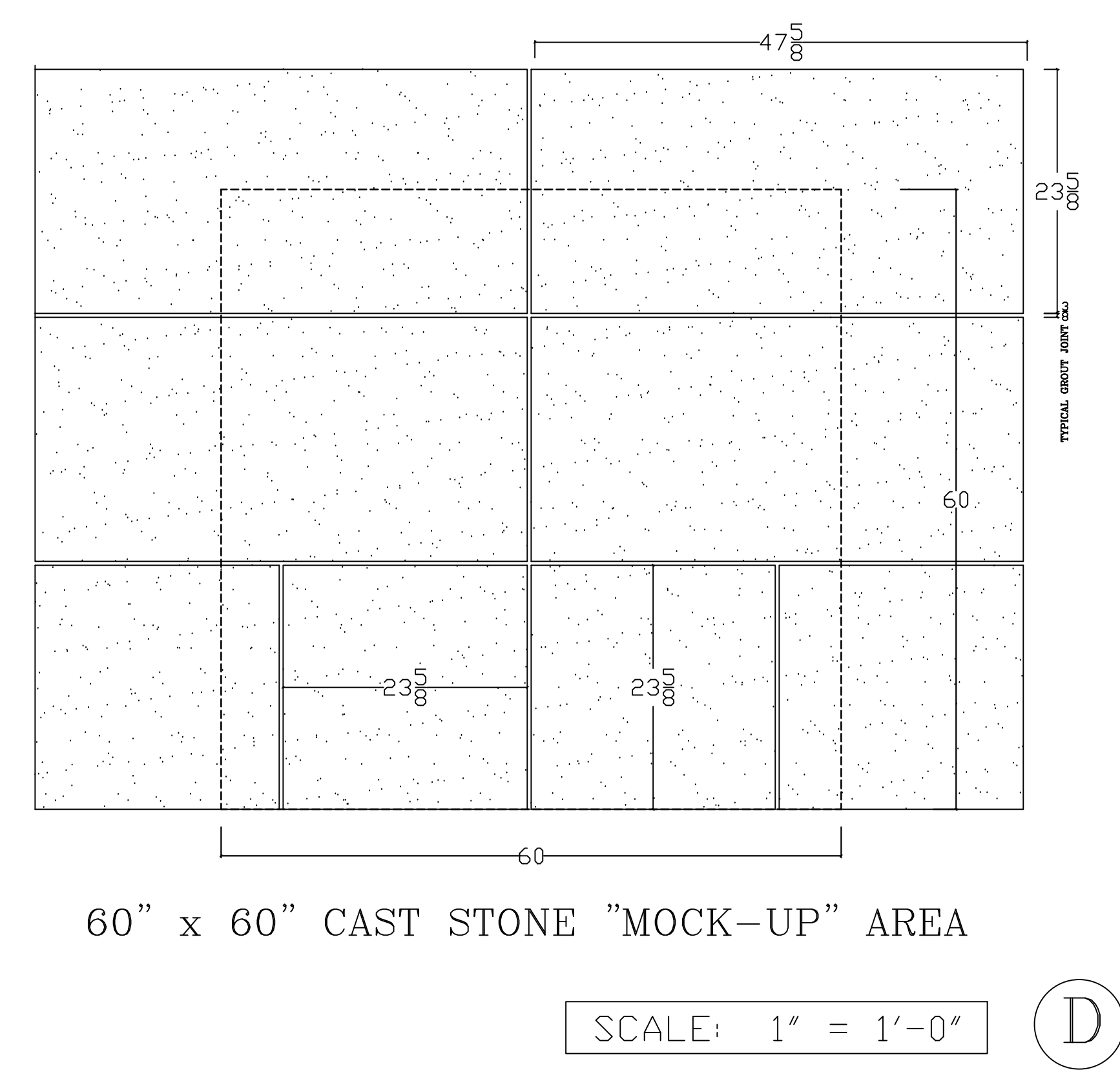


BUILDINGS 01 thru 07 - PARTIAL FEATURE ELEVATION with:
 "STACK-BOND" BASE INSTALLATION & "STACK-BOND" VENEER INSTALLATION

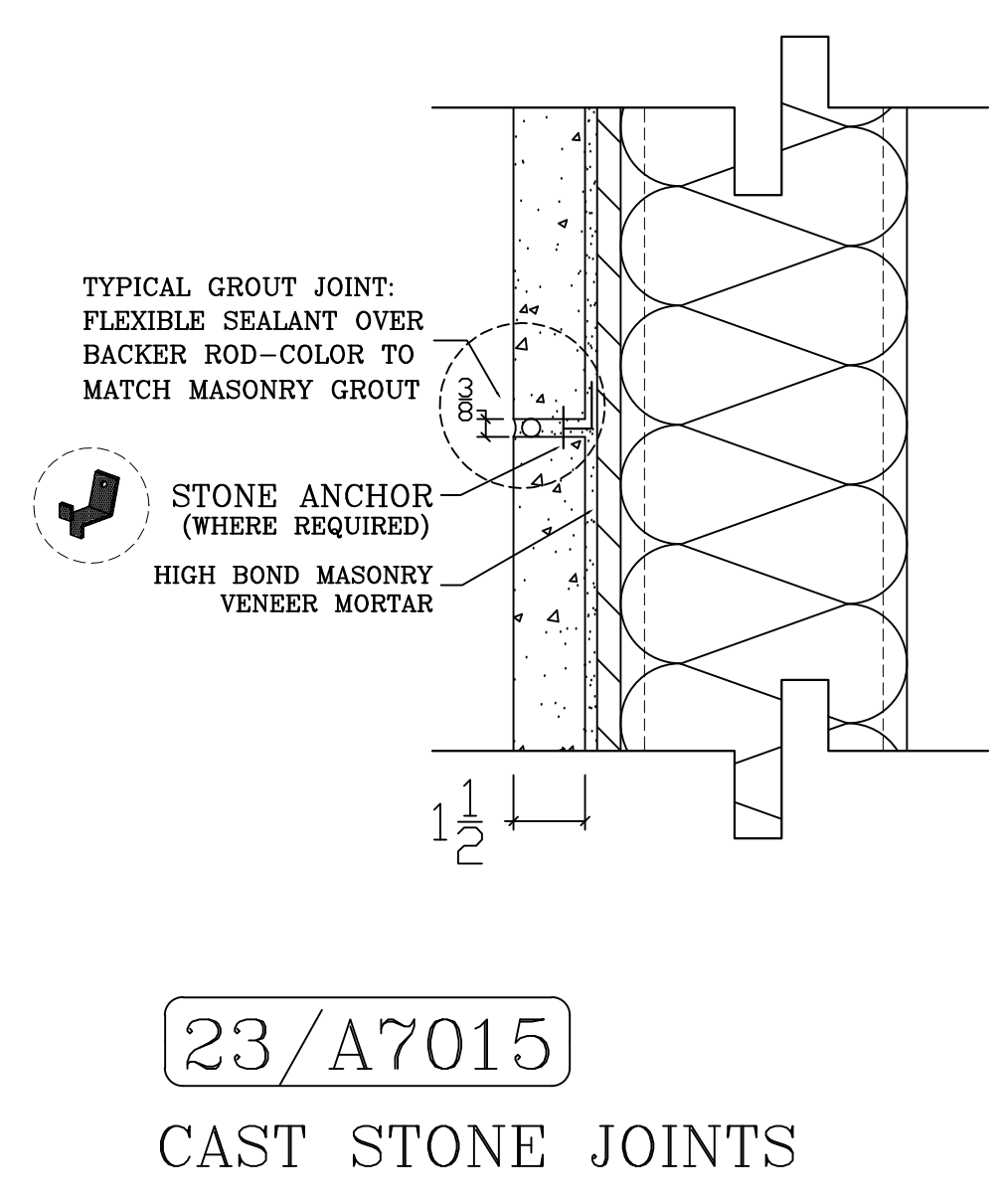
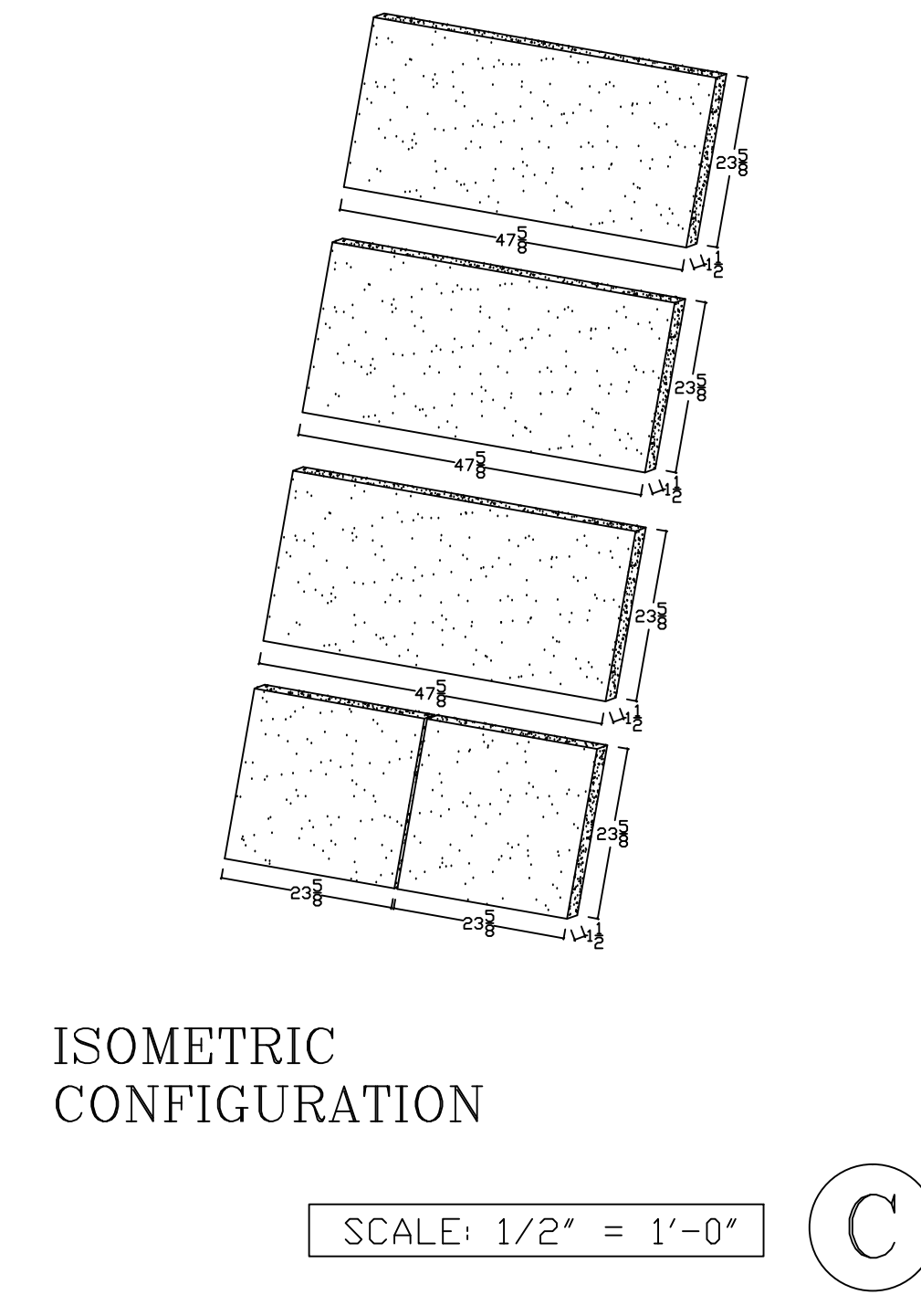
****NOTE:**
 ARCHITECT TO VERIFY
 ALL COLORS AND FINISHES.

SCALE: 1" = 1'-0" (E)

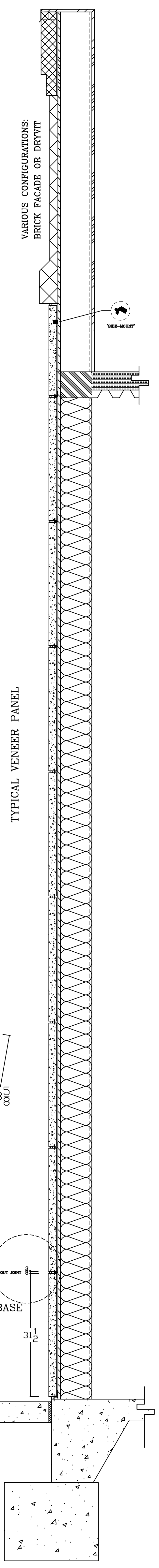
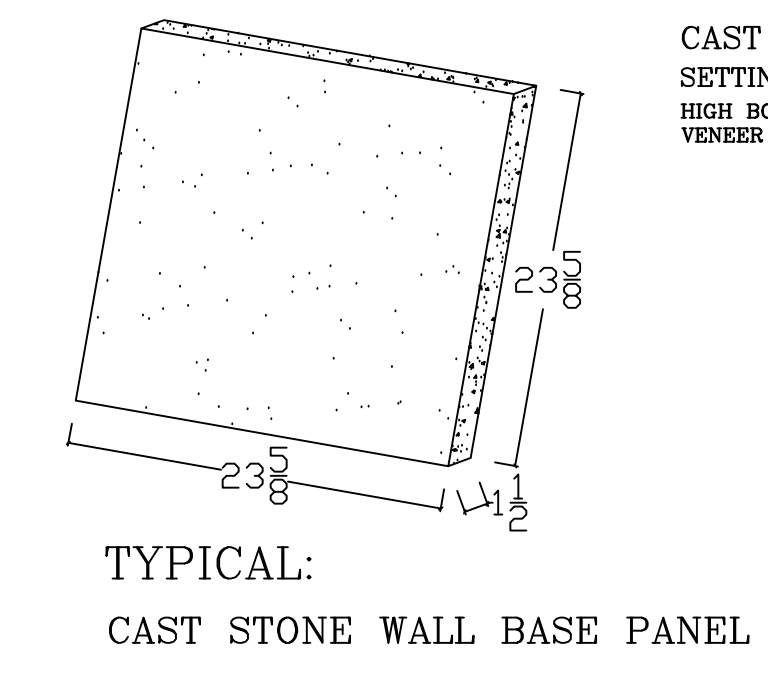
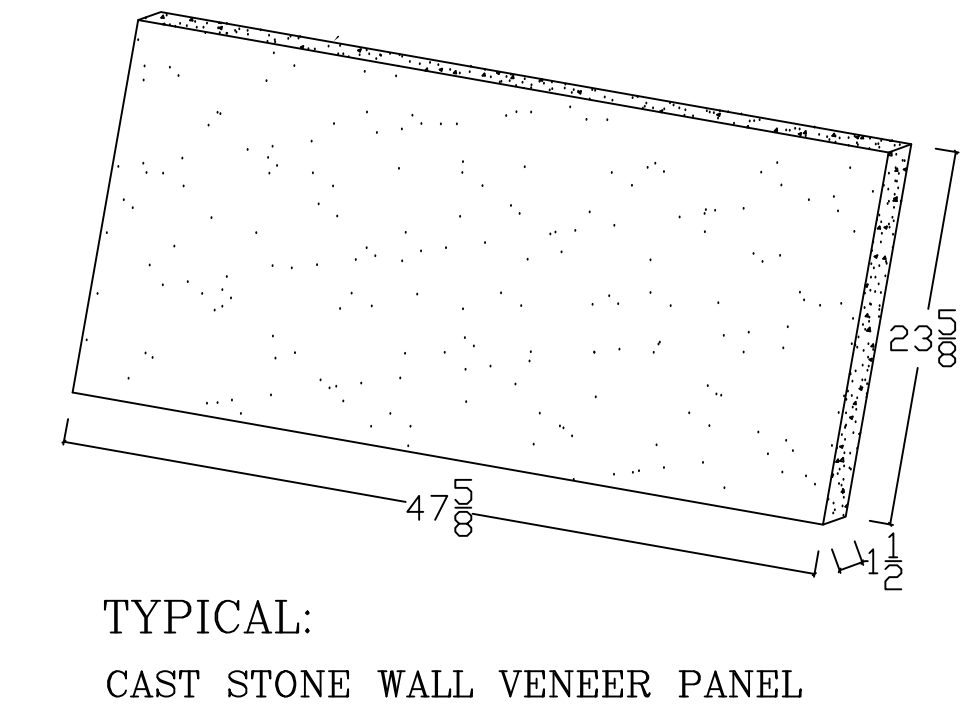
- ELEVATIONS
- 1/A2011
 - 3/A2012
 - 1,8/A2013
 - 1,3/A2021
 - 1,3,4/A2022
 - 1/A2023
 - 1/A2031
 - 1/A2032
 - 3/A2033
 - 1/A2034
 - 1/A2041
 - 1,3,4/A2042
 - 1,3/A2043
 - 4,12/A2043
 - 3/A2052
 - 3/A2053
 - 17/A2061
 - 3/A2062
 - 1/A2063
 - 1,4,20/A2071
 - 1/A4234
 - 1,13,15/A4252
 - 3/A4292



SCALE: 1" = 1'-0" (D)



- SECTIONS
- 5/A4003
 - 1/A4004
 - 9/A4005
 - 1,9/A4006
 - 1/A4007
 - 1/A4008
 - 1/A4011
 - 5,17/A4012
 - 9/A4013
 - 1,5,9/A4014
 - 5,17/A4015
 - 5/A4016
 - 17/A4016
 - 1,9/A4235



Various Wall Veneer Sections: A4003 thru A4016
 Typ. Wall Veneer: Bldgs. 1, 2, 3, 4, 5, 6, 7
 SECTION/ELEVATION/ISOMETRIC

SHOP DRAWINGS
 PRODUCT: CAST STONE

D. C. Kerckhoff Company
 Naples, Florida
 PROJECT: TANGER OUTLET CENTERS
 National Harbor Oxon Hill, MD
 Scale: AS NOTED
 Date: 03-11-2013
 Drawn By: G.J.K
 Printing No: TOC-TWV

SHEET No:
 04