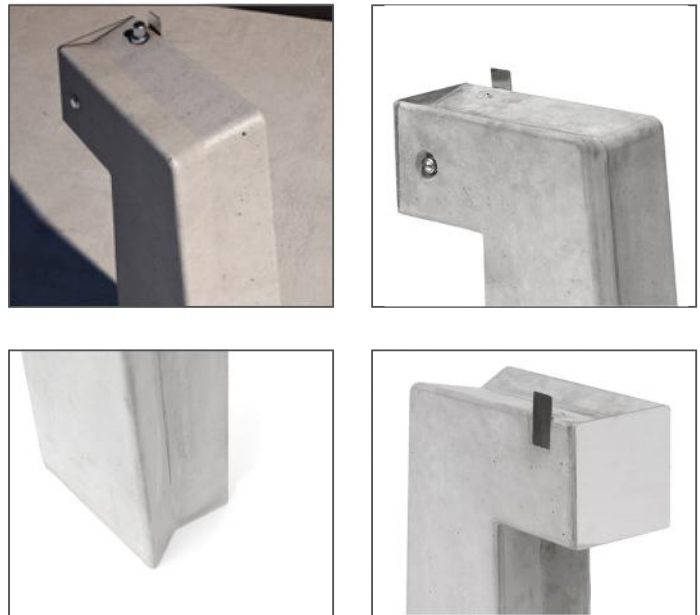
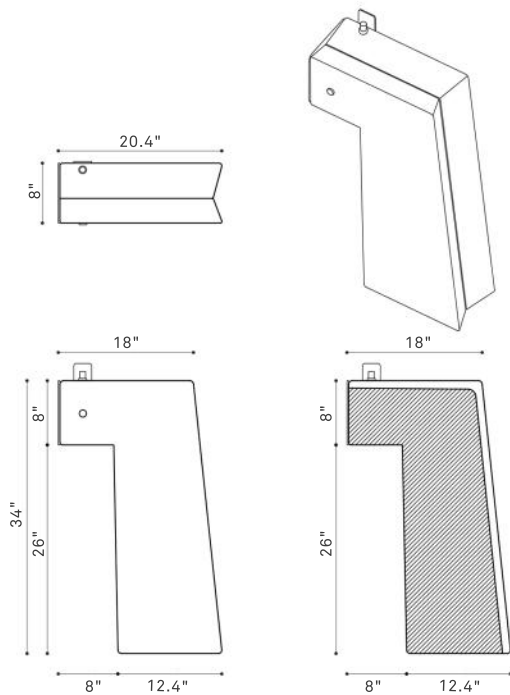


WATERFRONT

EUBBWATYGRIF



WEIGHT 275 lbs

DIMENSIONS 18" x 8" x 34"

FINISHES NATURAL | MATE | POLISHED

COLORS

WATERFRONT

The Waterfront Water Fountain belongs to Durban's new design language. It is a minimalist aesthetic design with finely finished details that doesn't compromise on durability to the elements and vandalism. Its stainless-steel details enrich any public or private space. The removal of physical access barriers makes it possible for the fountain to be enjoyed equally by every member of society.

REV 00 | FV 2020/09/17

*The dimensions of the products shown on the webpage serve as an illustrative character and do not represent a contractual obligation of any kind. For more information, please do not hesitate to contact us. Copyright © 2020 Durban Precast. All rights reserved



www.durbanprecast.com

