

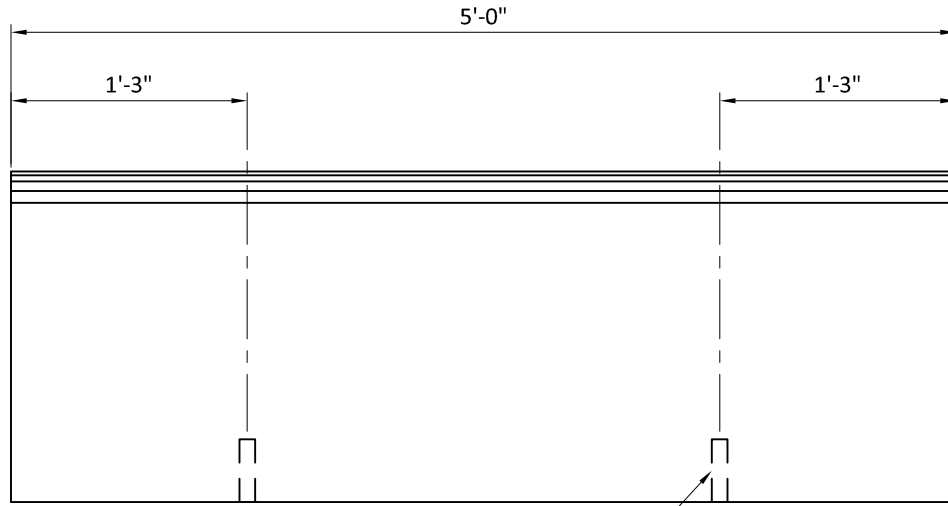
DESCRIPTION: SEAT WALL BENCH

QTY:

PIECE WORK:

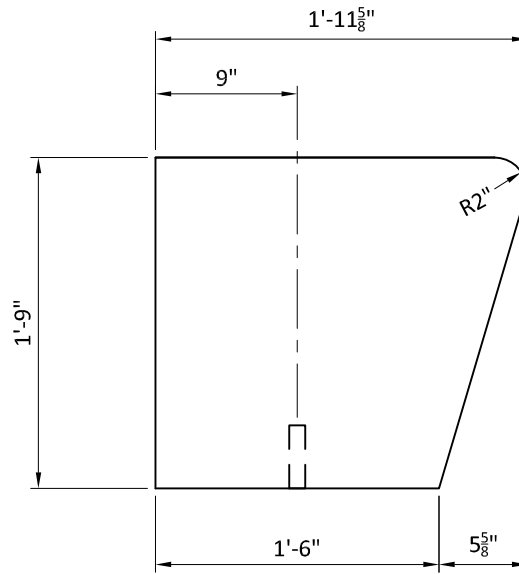
COLOR:

TEXTURE:



ELEVATION

DOWEL HOLES



SECTION



© 2021

PROJECT NAME: STONECAST STANDARD

SCALE: 1"=1'-0"

WEIGHT / PIECE

DRAWN BY: