

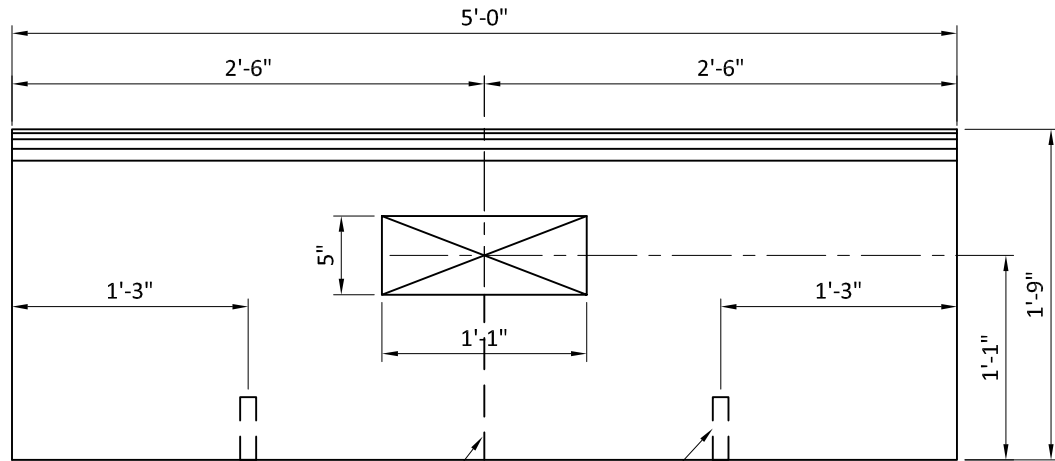
DESCRIPTION: SEAT WALL BENCH w/ B.O.

QTY:

PIECE WORK:

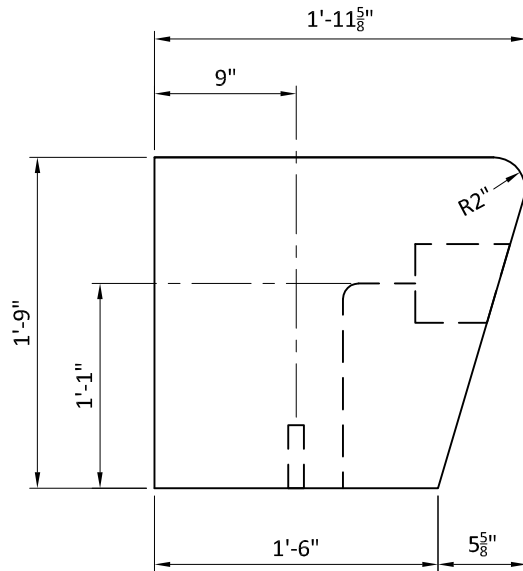
COLOR:

TEXTURE:



ELEVATION

CONDUIT DOWEL HOLES



SECTION



PROJECT NAME: STONECAST STANDARD

SCALE: 1"=1'-0"

WEIGHT / PIECE

DRAWN BY: