

DESCRIPTION: CARLISLE COLUMN CAP

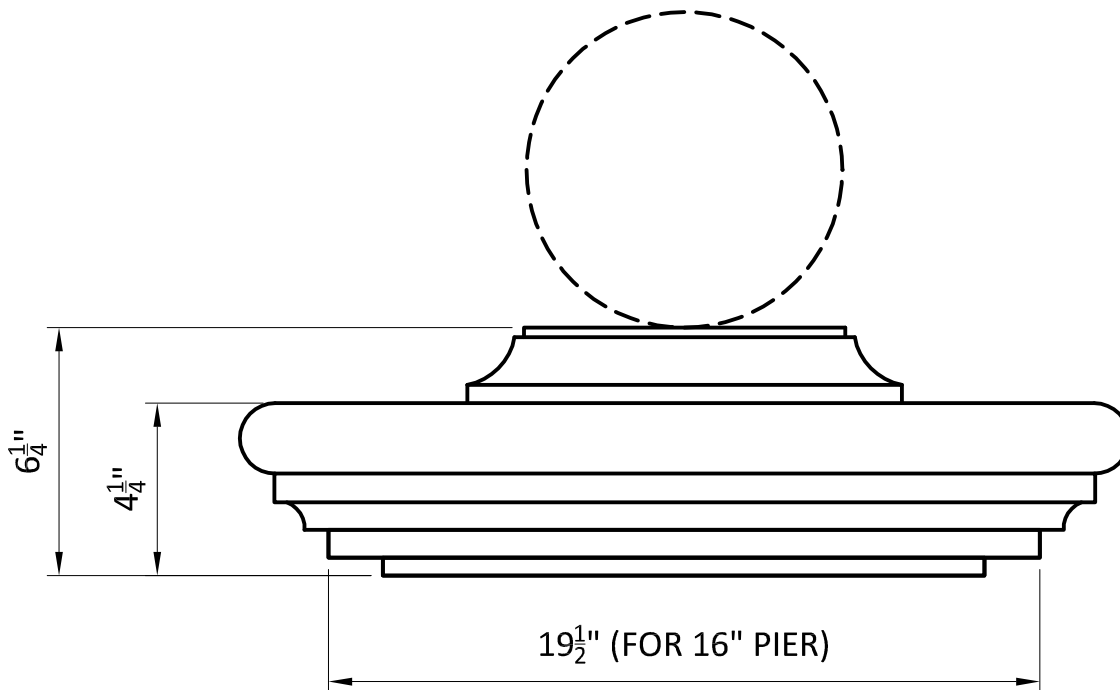
QTY:

PIECE WORK:

COLOR:

TEXTURE:

TO FIT ANY FINIAL BALL OPTIONAL



SECTION



PROJECT NAME: STONECAST STANDARD

SCALE: -

WEIGHT / PIECE

DRAWN BY: