

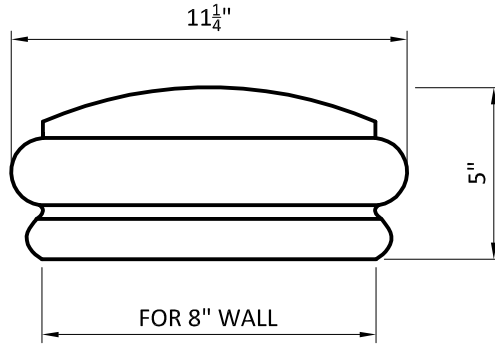
DESCRIPTION: **CHAMPION WALL CAP**

QTY:

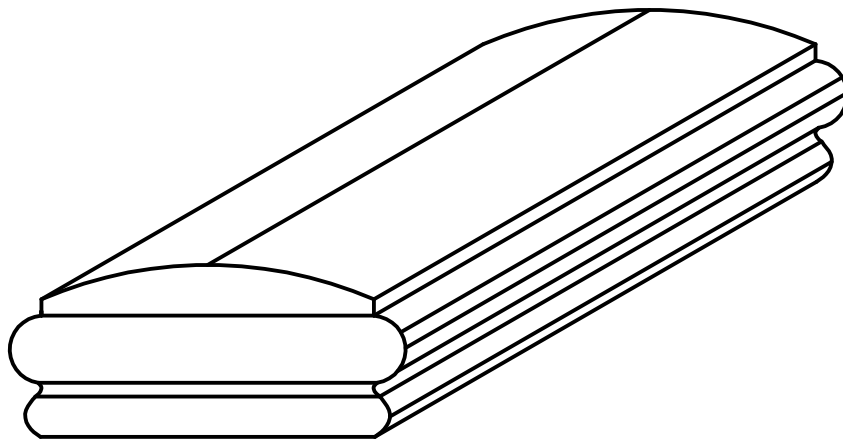
PIECE WORK:

COLOR:

TEXTURE:



SECTION



ISOMETRIC



PROJECT NAME: **STONECAST STANDARD**

SCALE: -

WEIGHT / PIECE

DRAWN BY: