

DESCRIPTION:

GRIFF COLUMN CAP

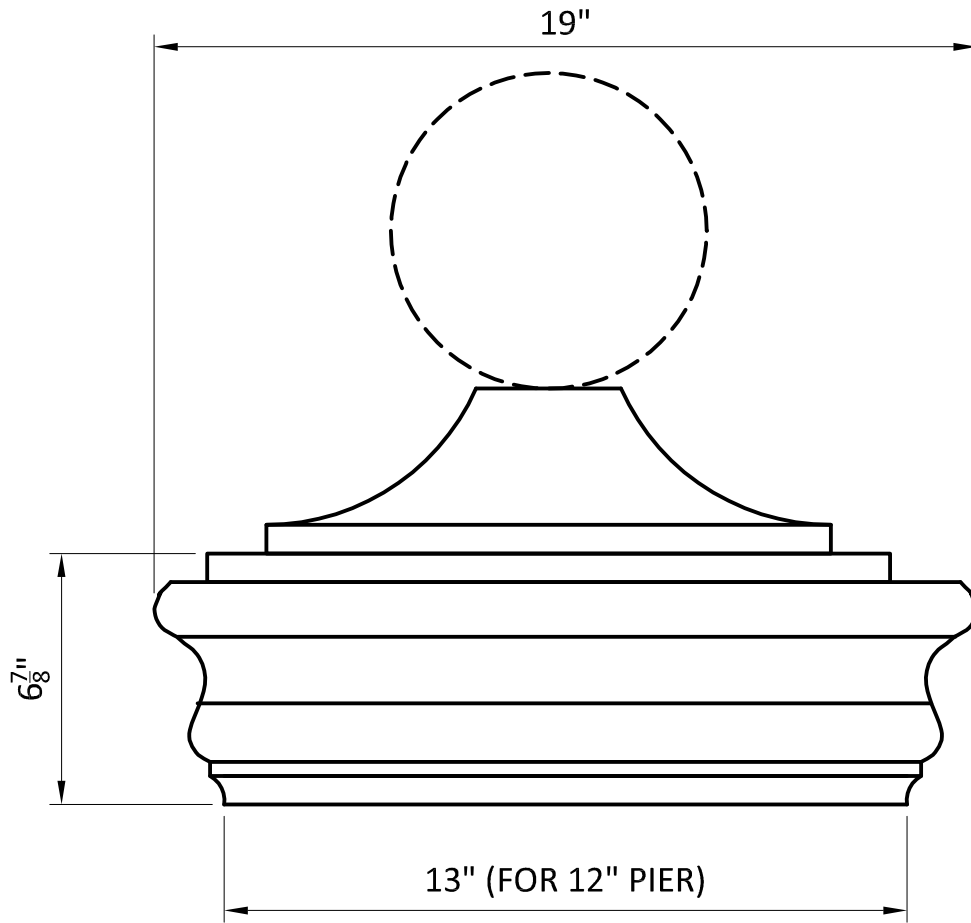
QTY:

PIECE WORK:

COLOR:

TEXTURE:

TO FIT ANY FINIAL BALL OPTIONAL



SECTION



PROJECT NAME: **STONECAST STANDARD**

SCALE: -

WEIGHT / PIECE

DRAWN BY: