

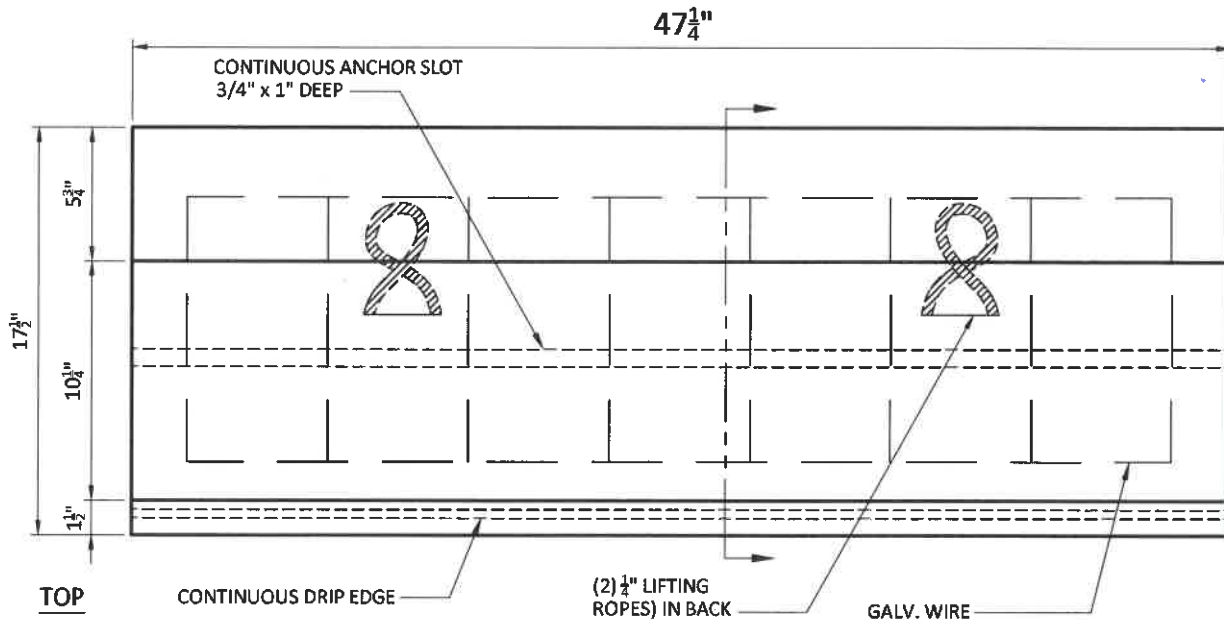
DESCRIPTION: **SANTA FE SILL PIECE**

QTY:

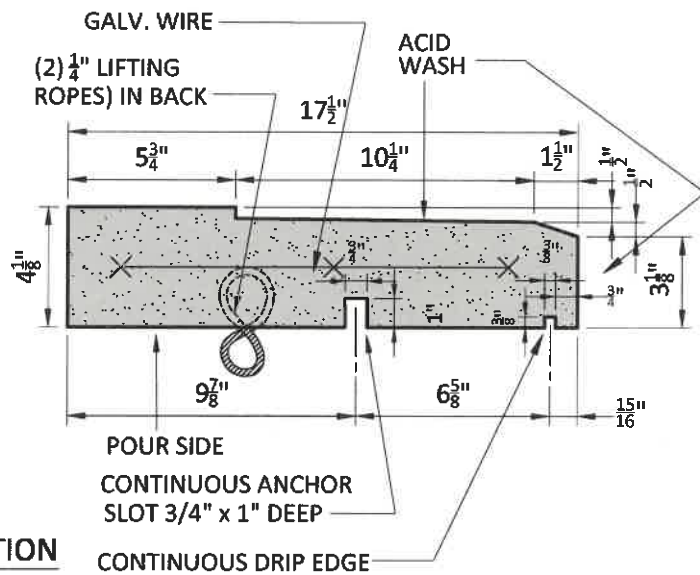
PIECE WORK:

COLOR:

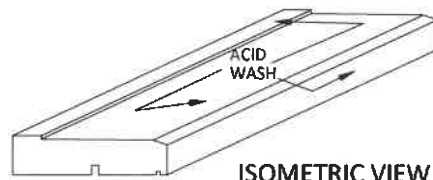
TEXTURE:



TOP



SECTION



ISOMETRIC VIEW
N.T.S.

QUALITY CONTROL		
PIECES	SIGN	DATE



PROJECT NAME:

TICKET#

SCALE:

N.T.S.

WEIGHT / PIECE

260 LBS.

CAD SHEET:

DRAWN BY:

E.G.JR