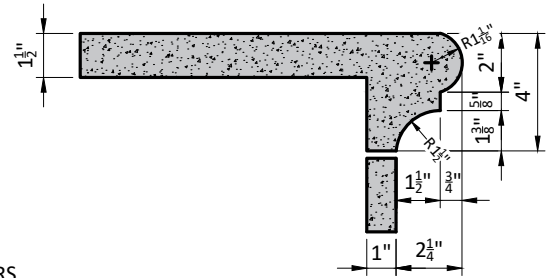
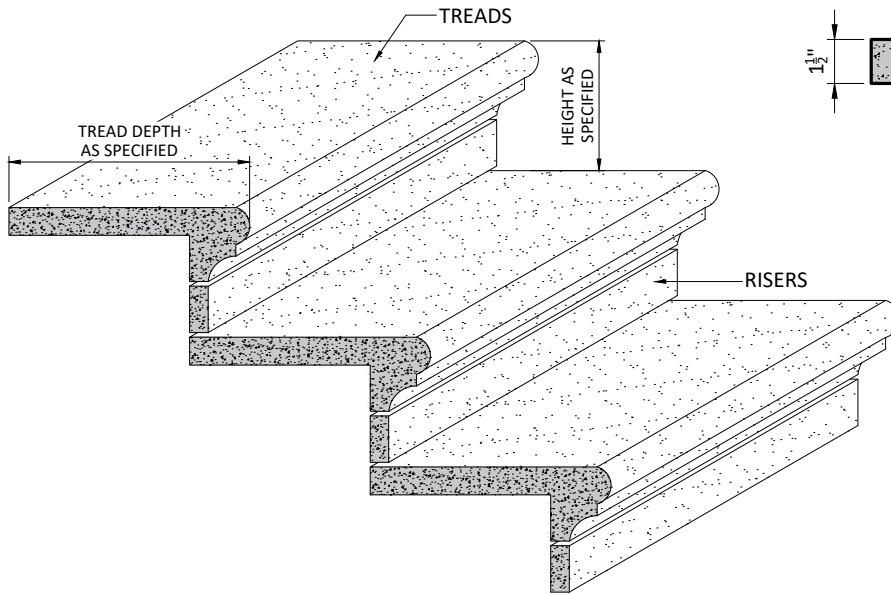


Stair Treads & Risers

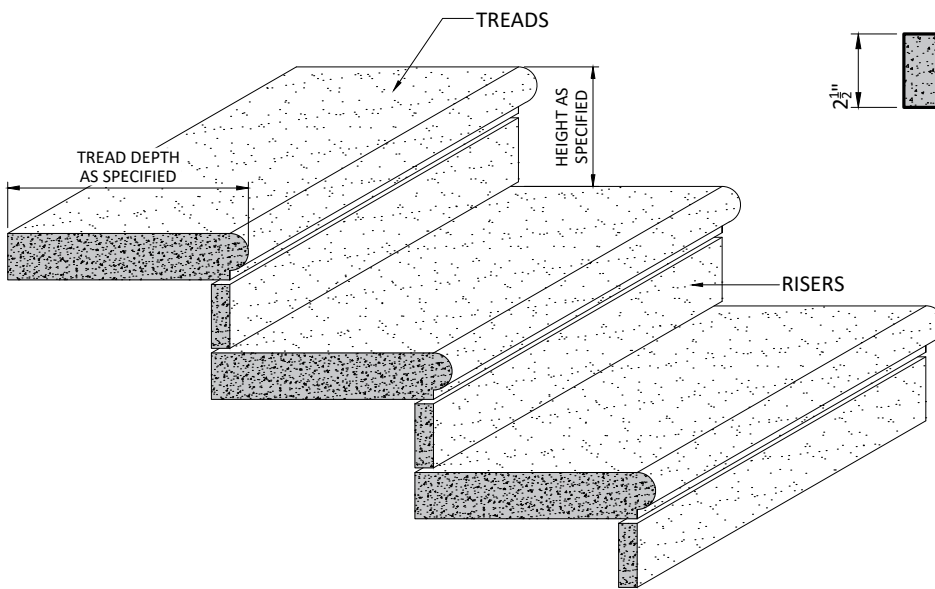


TABLE OF CONTENTS

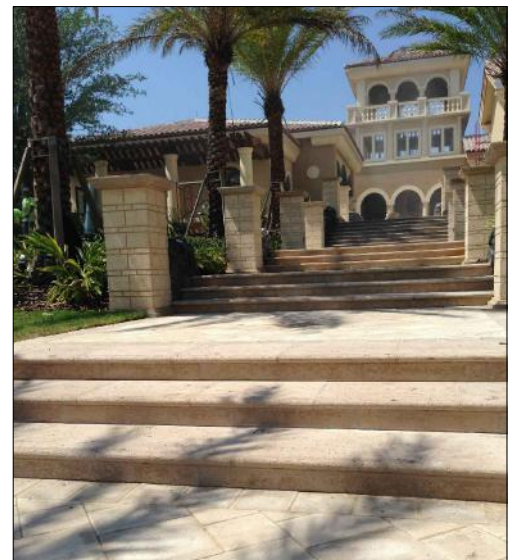
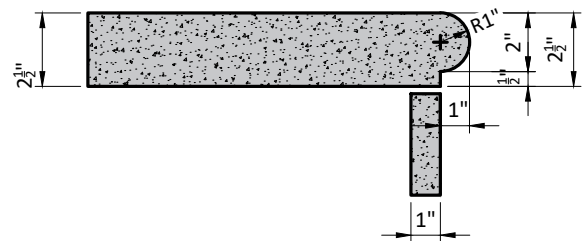
TITLE	PAGE No.
• Embassy Stair Tread & Riser & 2" Bullnose Treads....	1
• Straight Stair Bullnose & Straight Edge Tread & Risers.....	2
• Stairtreads & Risers & Open Riser Steptreads with Optional Traction Strip & Optional Lighting Strip Notch.....	3 & 4



EMBASSY STAIR TREAD & RISER

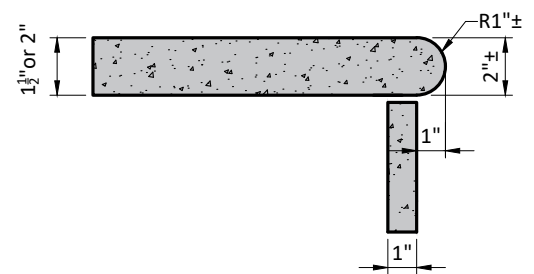
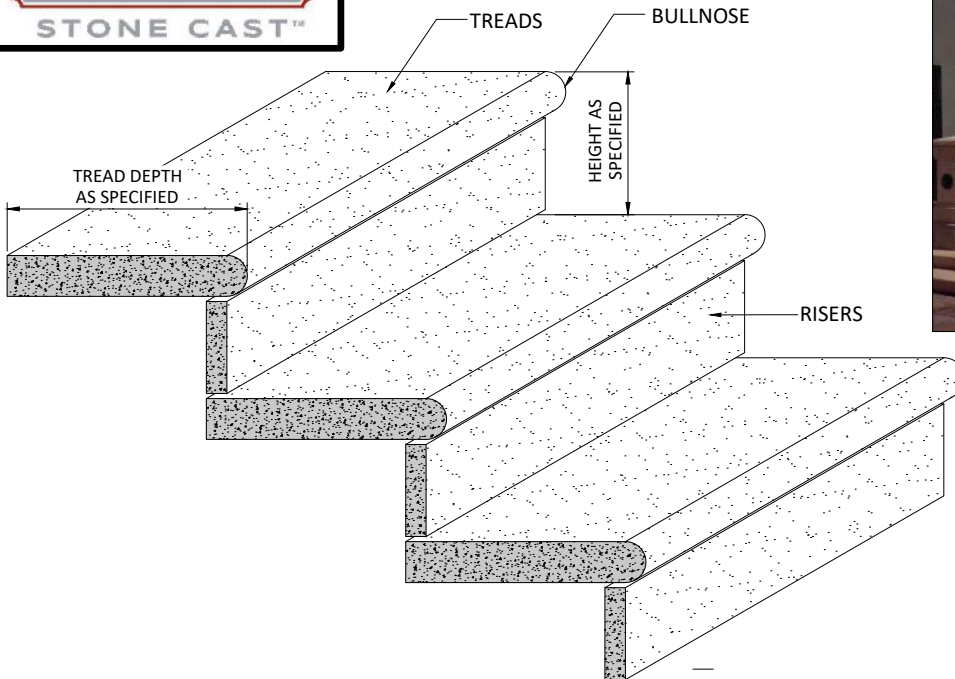


SCALE: N.T.S.



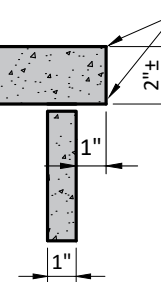
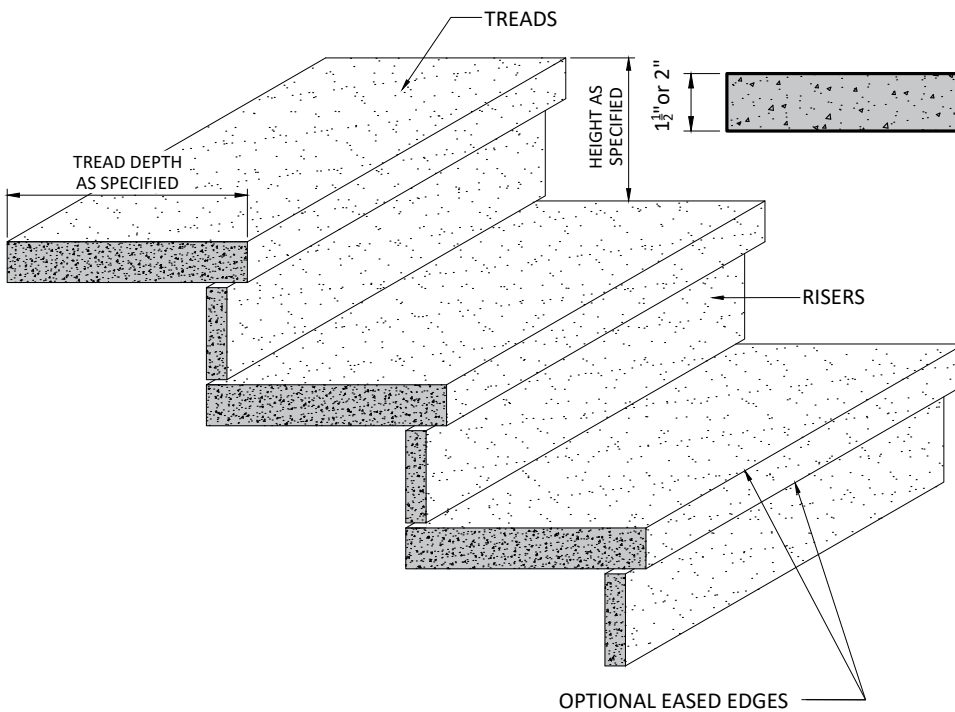
2" BULLNOSE STAIR TREAD & RISER

SCALE: N.T.S.



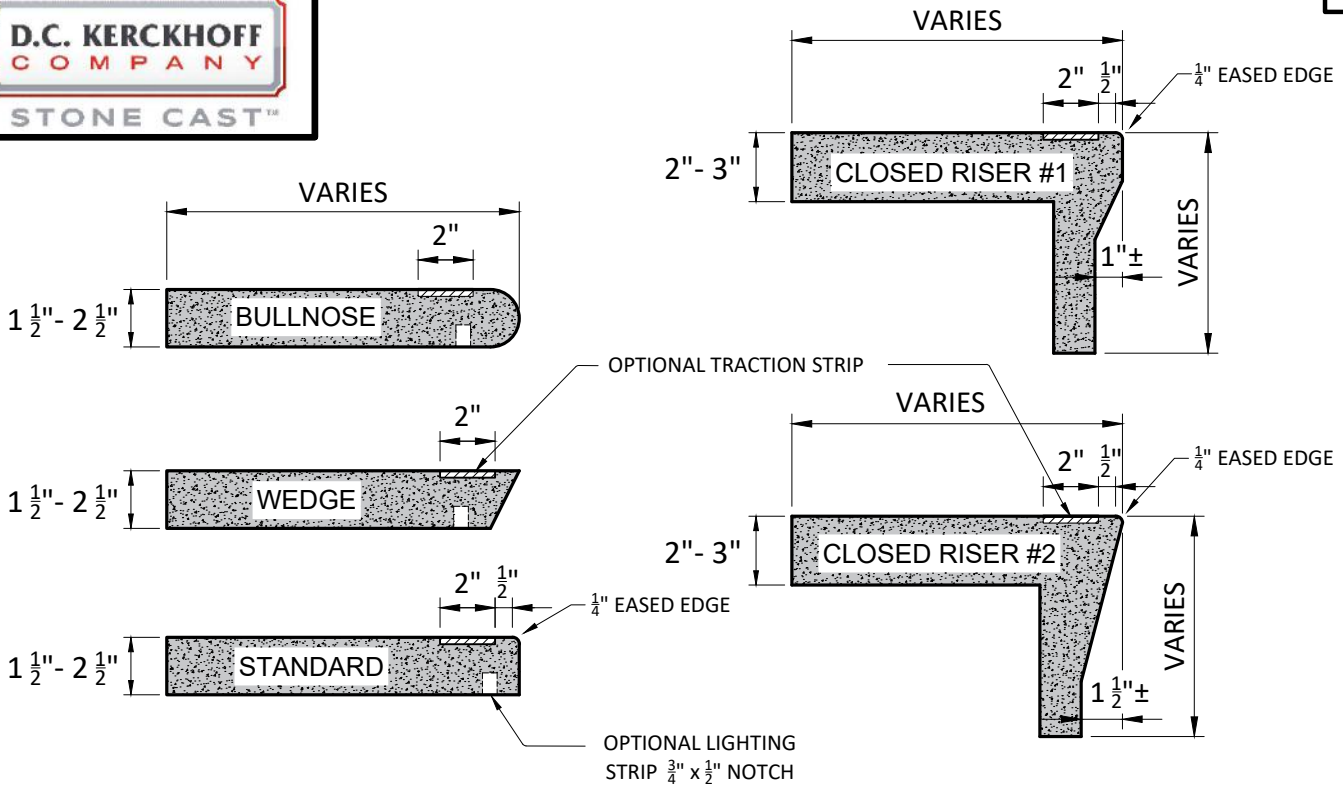
STRAIGHT BULLNOSE STAIRTREAD & RISER

SCALE: N.T.S.



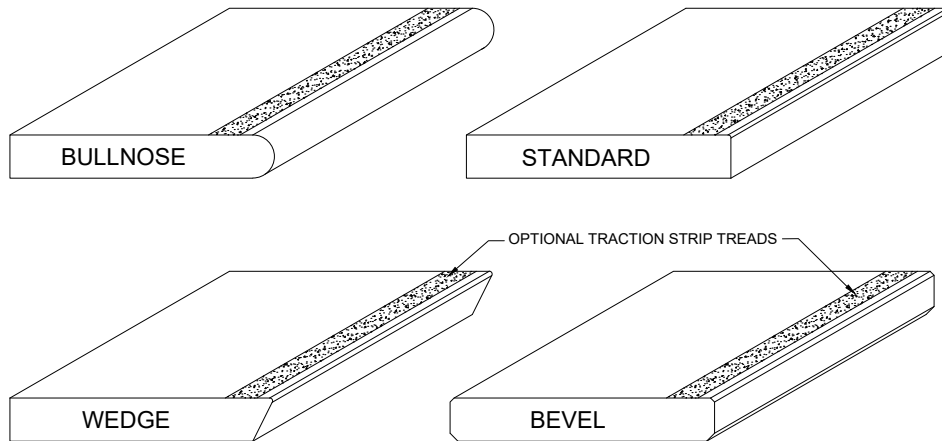
STRAIGHT SQUARE EDGE STAIRTREAD & RISER

SCALE: N.T.S.



STANDARD STAIRTREADS

SCALE: N.T.S.



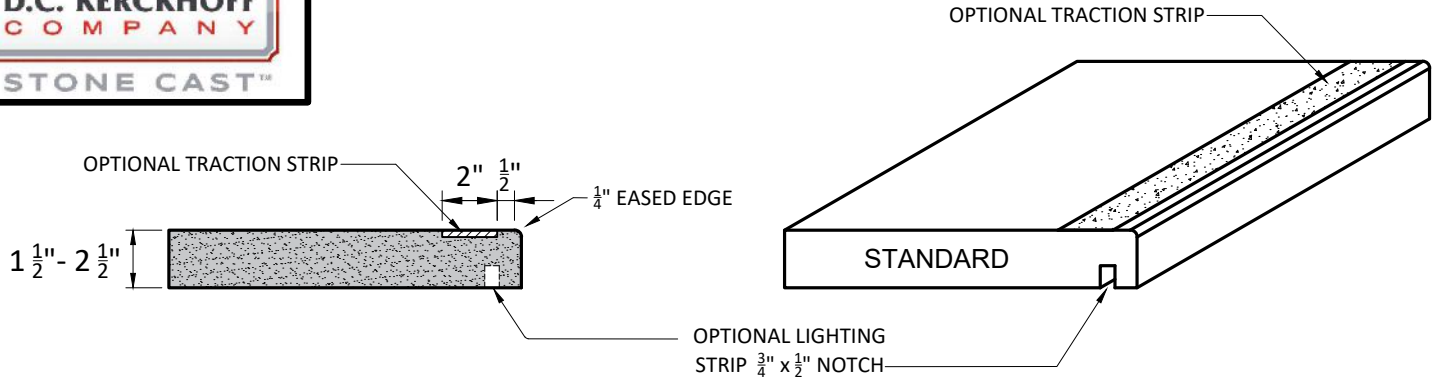
OPEN RISER STEPTREADS

SCALE: N.T.S.

NOTES:

1. 6,500 P.S.I. DESIGN MIX
2. ASTM C-1364 FOR CAST-STONE
3. SPECIFICATION FOR CAST-STONE 04720
4. AVAILABLE IN OVER 85 COLORS & ALL STANDARD KERCKHOFFSTONE TEXTURES
5. COLOR & TEXTURES WILL VARY
6. ABRASION AND MILDEW RESISTANT
7. ALL OVERSIZE THICK COPINGS ARE REINFORCED AS REQUIRED

CUSTOM PAVERS:
ALL OTHER SQUARE PAVERS, LINEAR PAVERS, NARROW LINEAR PAVERS, LARGE LINEAR PAVERS, AND ROUND PAVERS SIZES NOT SHOWN ABOVE CAN BE MANUFACTURED UPON REQUEST



TRACTION STAIR TREAD

SCALE: N.T.S.



NOTES:

1. 6,500 P.S.I. DESIGN MIX
2. ASTM C-1364 FOR CAST-STONE
3. SPECIFICATION FOR CAST-STONE 04720
4. AVAILABLE IN OVER 85 COLORS & ALL STANDARD KERCKHOFFSTONE TEXTURES
5. COLOR & TEXTURES WILL VARY
6. ABRASION AND MILDEW RESISTANT
7. ALL OVERSIZE THICK COPINGS ARE REINFORCED AS REQUIRED

CUSTOM PAVERS:

ALL OTHER SQUARE PAVERS, LINEAR PAVERS, NARROW LINEAR PAVERS, LARGE LINEAR PAVERS, AND ROUND PAVERS SIZES NOT SHOWN ABOVE CAN BE MANUFACTURED UPON REQUEST